

METALWORKS® STEEL SHINGLES

AstonWood®, StoneCrest® Slate & StoneCrest® Tile

PRODUCT DATA

Manufactured in Joplin, MO



ASTONWOOD® Steel Shingles combine the warmth and appeal of cedar shingles with the strength and durability of galvanized steel to produce a roofing product which replicates the rich deep hand-hewn texture of wood. Available in a wide array of beautiful colors.



STONECREST® SLATE is made of heavier gauge steel and has been double stamped for a more dramatic slate look that closely replicates the random finish of natural slate. Available in a beautiful array of colors.



STONECREST® TILE Steel Shingles create the distinctive look of smooth, uniform tile. For those who appreciate a classic, refined appearance, these shingles provide outstanding performance and value.

COLORS

AstonWood Colors:

- Forest Green
- River Rock Brown
- Sequoia Red
- Sierra Slate Grey
- Timber Brown
- Vermont Blue
- Brite Red
- Canyon Copper Bronze

StoneCrest Slate Colors:

- Quaker Green
- Sierra Slate Grey
- Vermont Blue
- Sequoia Red

StoneCrest Tile Colors:

- Quaker Green
- Sierra Slate Grey
- Vermont Blue



All MetalWorks shingles are ENERGY STAR qualified and rated by the Cool Roof Rating Council, a testament to the energy savings that can be achieved.

USES

For application to roof decks with inclines not less than 3 inches per foot and up to mansard or sidewall application. For slopes between 3 and 4 inches per foot, TW Metal & Tile Underlayment or TW Underlayment must be used over entire deck area.

ADVANTAGES

- Backed by a 50 Year Limited Product Warranty, 25 Year Full Start Period, Limited Transferability, a 30 Year Finish Limited Warranty, and a 50 Year Limited Wind Warranty against damage from winds up to 110 mph.**
- Galva-Strength G-90 steel construction.
- Special coating process helps resist dirt and environmental aging. Fluoropolymer coating system from The Valspar® Corporation with Kynar 500®/Hylar 5000® coating.
- Lightweight compared to traditional roofing products.
- Resists fading and chalking.
- Fire resistant for added protection.***
- Can be applied over existing asphalt shingles eliminating disposal cost and mess.****
- Four-way locking system for enhanced performance.

CERTIFICATION/REPORTS

Listed by UL for:

Class A Fire Rating***
Wind Resistance
Impact Resistance, Class 4
ICC-ES ESR-1129

Accepted for Use, City of New York, Department of Buildings MEA 156-00-M Vol II
CCMC 13011-R

Tested in compliance with:

UL 790
ASTM D 3161, Class F (110 MPH)
UL 2218

**For information regarding or a copy of TAMKO's limited warranty, contact your local TAMKO representative, visit us online at tamko.com, or call us at 800-641-4691.

***Contact TAMKO or Underwriters Laboratories for specific application requirements for U.L. Class A rated systems.

****Check your Local Building Code. Building Code restrictions may apply.



METALWORKS

STEEL SHINGLES



Visit our Web Site at tamko.com or metalworksroof.com

02/23/2010

Central District	220 West 4th St., Joplin, MO	64801	800-641-4691
Northeast District	4500 Tamko Dr., Frederick, MD	21701	800-368-2055
Southeast District	2300 35th St., Tuscaloosa, AL	35401	800-228-2656
Southwest District	7910 S. Central Exp., Dallas, TX	75216	800-443-1834
Western District	5300 East 43rd Ave., Denver, CO	80216	800-530-8868

METALWORKS, AstonWood, StoneCrest and TAMKO are registered trademarks of TAMKO Building Products, Inc. Fluoron® and Valspar® are registered trademarks of The Valspar Corporation, Inc. Kynar 500® is a registered trademark of Arkema, Inc. Hylar 5000® is a registered trademark of Solvay Solexis, Inc.

© 2010 TAMKO Building Products, Inc.
JP58202

METALWORKS® STEEL SHINGLES

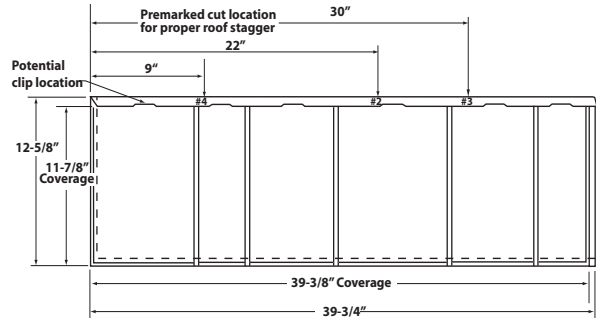
PRODUCT DATA

AstonWood®, StoneCrest® Slate & StoneCrest® Tile

ASTONWOOD®†

Shingle Size: 12-5/8" x 39-3/4"
 Exposure: 12"
 Coverage per Box: 98.4 sq ft
 (approx. 1 sq)

Shingles per Box: 30
 Shingles per Square: 30
 Weight per Shingle: 2 lbs
 Weight per Square: 61 lbs

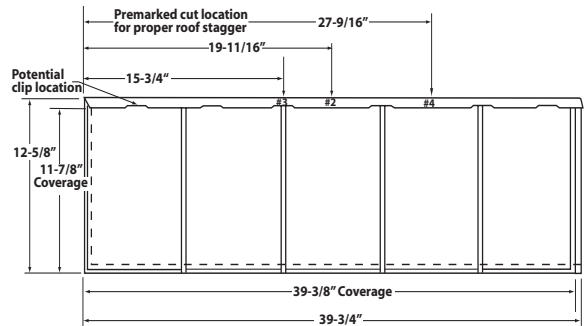


Shingle material: Nominal 0.0135" thickness, including G-90 galvanization and paint coatings.
 Exterior finish: Fluoropolymer (PVDF) with anti-corrosive primer, 1 mil dry film thickness.
 Interior finish: Wash coat with anti-corrosive primer, 0.6 mil dry film thickness.
 Clip: 1-1/4" wide x 2-1/8" long x 1/5" deep
 Clip Material: 0.015" thick, G-90 galvanized steel

STONECREST® SLATE†

Shingle Size: 12-5/8" x 39-3/4"
 Exposure: 12"
 Coverage per Box: 49.2 sq ft
 (approx. 1/2 sq)

Shingles per Box: 15
 Shingles per Square: 30
 Weight per Shingle: 2.5 lbs
 Weight per Square: 74 lbs

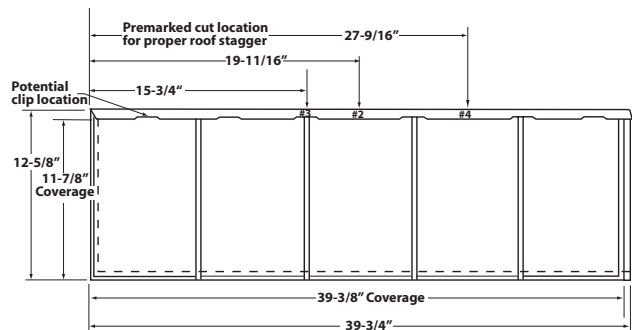


Shingle material: Nominal 0.0162" thickness, including G-90 galvanization and paint coatings.
 Exterior finish: Fluoropolymer (PVDF) with anti-corrosive primer, 1 mil dry film thickness.
 Interior finish: Wash coat with anti-corrosive primer, 0.6 mil dry film thickness.
 Clip: 1-1/4" wide x 2-1/8" long x 1/5" deep
 Clip Material: 0.015" thick, G-90 galvanized steel

STONECREST® TILE†

Shingle Size: 12-5/8" x 39-3/4"
 Exposure: 12"
 Coverage per Box: 49.2 sq ft
 (approx. 1/2 sq)

Shingles per Box: 15
 Shingles per Square: 30
 Weight per Shingle: 2.5 lbs
 Weight per Square: 74 lbs



Shingle material: Nominal 0.0162" thickness, including G-90 galvanization and paint coatings.
 Exterior finish: Fluoropolymer (PVDF) with anti-corrosive primer, 1 mil dry film thickness.
 Interior finish: Wash coat with anti-corrosive primer, 0.6 mil dry film thickness.
 Clip: 1-1/4" wide x 2-1/8" long x 1/5" deep
 Clip Material: 0.015" thick, G-90 galvanized steel

Refer to Accessory Product Data Sheet for more information.



†All values stated as nominal

METALWORKS, AstonWood, StoneCrest and TAMKO are registered trademarks of TAMKO Building Products, Inc. Fluoropol® and Valspar® are registered trademarks of The Valspar Corporation, Inc. Kynar 500® is a registered trademark of Arkema, Inc. Hylar 5000® is a registered trademark of Solvay Solexis, Inc.

© 2010 TAMKO Building Products, Inc.

Central District	220 West 4th St., Joplin, MO	64801	800-641-4691
Northeast District	4500 Tamko Dr., Frederick, MD	21701	800-368-2055
Southeast District	2300 35th St., Tuscaloosa, AL	35401	800-228-2656
Southwest District	7910 S. Central Exp., Dallas, TX	75216	800-443-1834
Western District	5300 East 43rd Ave., Denver, CO	80216	800-530-8868

Visit our Web Site at tamko.com or metalworksroof.com