

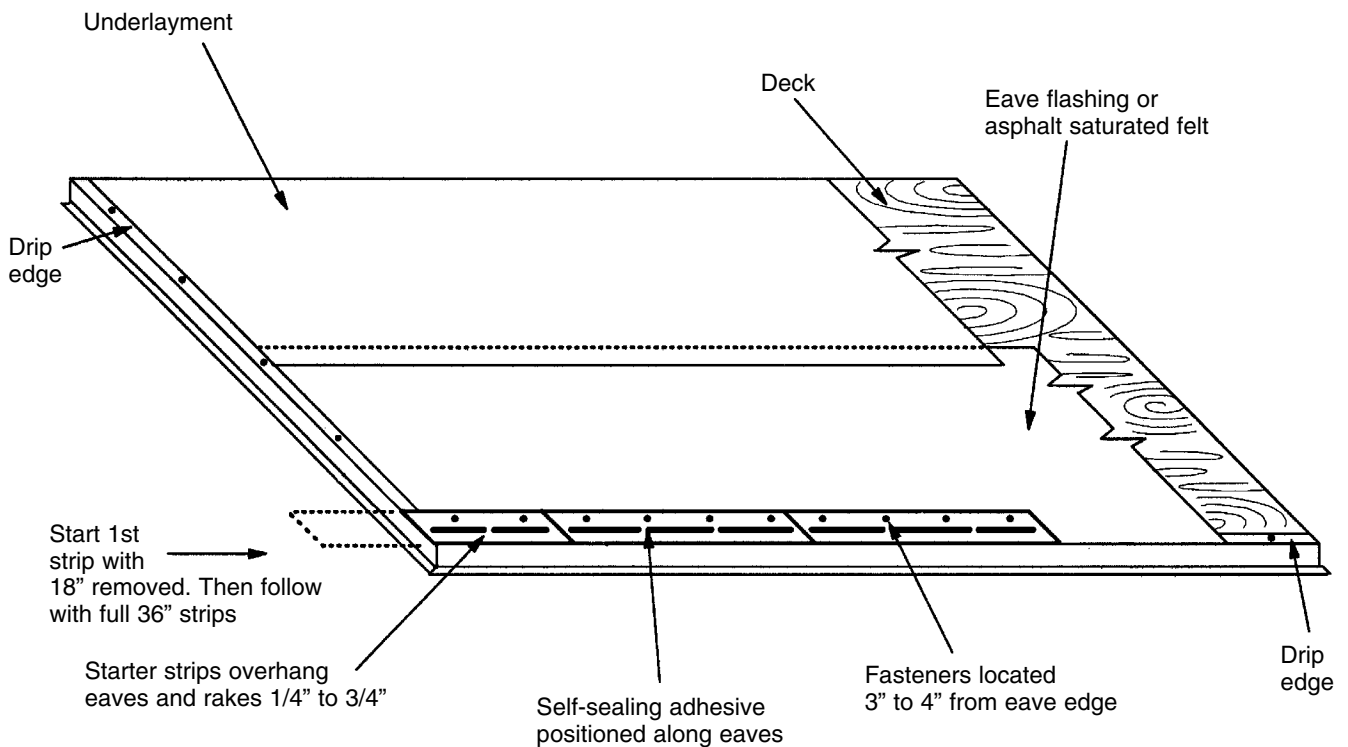
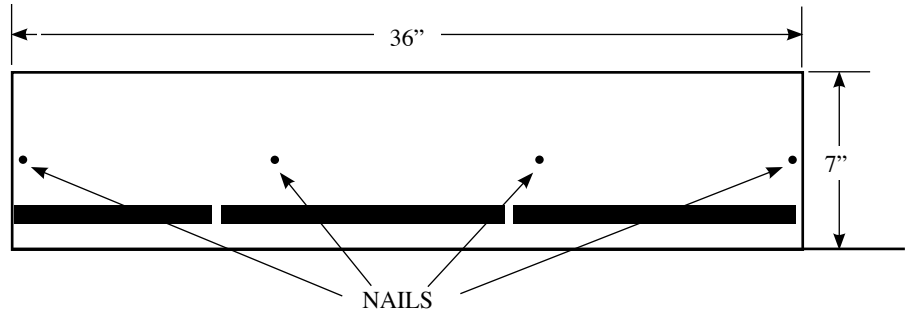


SHINGLE STARTER

Universal Starter Course Shingles

WARNING: Use of polyurethane foam insulation applied directly to the underside of a roof deck may cause premature degradation or failure of this asphalt roofing product. We are investigating compatibility of polyurethane foams with our asphalt building products. Chemical incompatibility, off-gassing after application and excess heat during and after application of polyurethane foams may affect the performance of asphalt and modified asphalt building products and metal fasteners used with those products.

- Pre-cut
- Sealant Strip
- Covers approximately 102 linear feet per bundle when installed according to TAMKO's Installation Instructions



- The first course of shingles is the most critical to ensure proper alignment of the courses. TAMKO's Shingle Starter-Universal Starter Course Shingles are factory cut to eliminate the difficulty of field cutting 3 tabs and roll roofing materials. The finished product helps to ensure a straighter first course of shingles and reduces labor and waste.
- Shingle Starter also comes with a factory sealant strip to eliminate the need for plastic cement. Start your next shingle project right—using Shingle Starter-Universal Starter Course Shingles by TAMKO.

Information included in this application supplement was current at time of printing. To obtain a copy of the most current version of this application supplement, visit us online at tamko.com or call us at 800-641-4691.

