

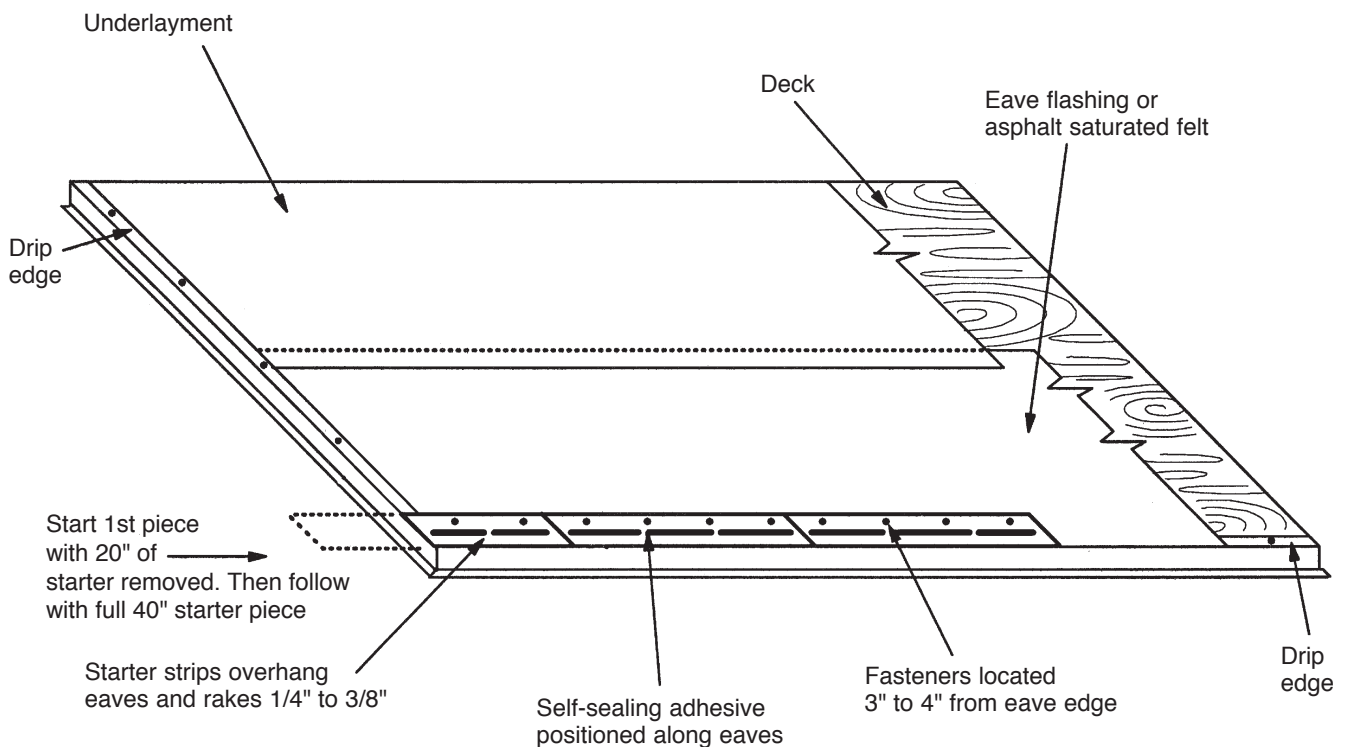
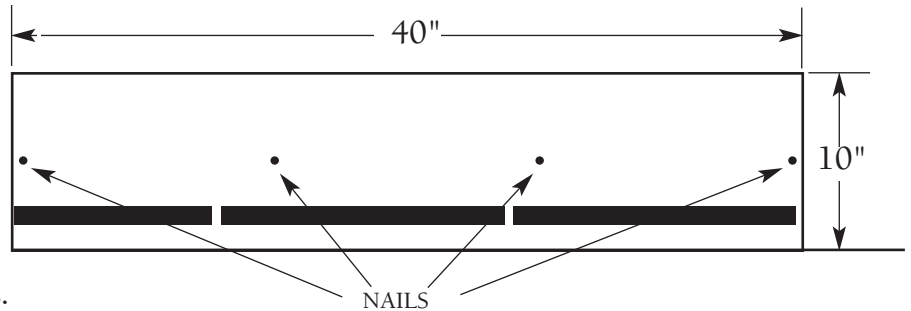


10 INCH STARTER

Starter Course Shingles

Manufactured in Phillipsburg, Kansas

- Pre-cut
- Sealant Strip
- Covers approximately 100 linear feet per bundle when installed according to TAMKO's Installation Instructions.



- The first course of shingles is the most critical to ensure proper alignment of the courses. TAMKO's 10 Inch Starter Course Shingles are factory cut to eliminate the difficulty of field cutting 3 tabs and roll roofing materials. The finished product helps to insure a straighter first course of shingles and reduces labor and waste.
- 10 Inch Starter also comes with a factory sealant strip to eliminate the need for plastic cement. Start your next shingle project right—using 10 Inch Starter Course Shingles by TAMKO.

Information included in this application supplement was current at time of printing. To obtain a copy of the most current version of this application supplement, visit us online at tamko.com or call us at 800-641-4691.