



Application Instructions for HERITAGE® PREMIUM LAMINATED ASPHALT SHINGLES

FORMERLY HERITAGE® 50

Frederick, MD

THESE ARE THE MANUFACTURER'S APPLICATION INSTRUCTIONS FOR THE ROOFING CONDITIONS DESCRIBED. TAMKO BUILDING PRODUCTS, INC. ASSUMES NO RESPONSIBILITY FOR LEAKS OR OTHER ROOFING DEFECTS RESULTING FROM FAILURE TO FOLLOW THE MANUFACTURER'S INSTRUCTIONS. FAILURE TO FOLLOW THESE INSTRUCTIONS WILL ADVERSELY AFFECT COVERAGE UNDER THE LIMITED WARRANTY. SEE THE LIMITED WARRANTY FOR DETAILS.

THIS PRODUCT IS COVERED BY A LIMITED WARRANTY, THE TERMS OF WHICH ARE PRINTED ON THE WRAPPER.

IN COLD WEATHER (BELOW 40°F), CARE MUST BE TAKEN TO AVOID DAMAGE TO THE EDGES AND CORNERS OF THE SHINGLES.

IMPORTANT: It is not necessary to remove the plastic strip from the back of the shingles.

I. ROOF DECK

These shingles are for application to roof decks consisting of plywood or sheathing boards capable of receiving and retaining fasteners, and to inclines of not less than 2 in. per foot. For roofs having pitches 2 in. per foot to less than 4 in. per foot, refer to special instructions titled "Low Slope Application". For roofs having pitches greater than 21 in. per foot, refer to special instructions titled "Mansard Roof or Steep Slope Roof". Shingles must be applied properly. TAMKO assumes no responsibility for leaks or defects resulting from improper application, or failure to properly prepare the surface to be roofed over.

NEW ROOF DECK CONSTRUCTION: Roof deck must be smooth, dry and free from warped surfaces. It is recommended that metal drip edges be installed at eaves and rakes.

PLYWOOD: All plywood shall be exterior grade as defined by APA - The Engineered Wood Association. Plywood shall be a minimum of 3/8 in. thickness and applied in accordance with the recommendations of APA - The Engineered Wood Association.

SHEATHING BOARDS: Boards shall be well-seasoned tongue-and-groove boards and not over 6 in. nominal width. Boards shall be a 1 in. nominal minimum thickness. Boards shall be properly spaced and nailed.

2. VENTILATION

Inadequate ventilation of attic spaces can cause accumulation of moisture in winter months and a build up of heat in the summer. These conditions can lead to:

1. Vapor Condensation
2. Buckling of shingles due to deck movement.
3. Rotting of wood members.
4. Premature failure of roof.

To insure adequate ventilation and circulation of air, the ventilation system must include inlets and outlets. This may be accomplished with a combination of ridge and soffit vents or by using gable end vents. FHA minimum property standards require one square foot of net free ventilation area to each 150 square feet of space to be vented. This may be reduced to one square foot of ventilation area per 300 square feet if at least 40% and not more than 50% of venting is provided not more than 3 feet below the ridge or if a Class I or II vapor barrier is installed on the warm in winter side of the ceiling in climate zones 6, 7, and 8 as recommended by the 2012 International Residential Code. For more information consult your design professional. If the ventilation openings are screened, the total area should be doubled.

IT IS PARTICULARLY IMPORTANT TO PROVIDE ADEQUATE VENTILATION.

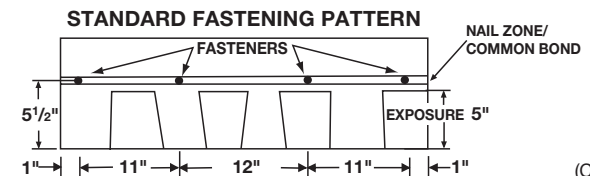
3. FASTENERS

WIND CAUTION: Extreme wind velocities can damage these shingles after application when proper sealing of the shingles does not occur. This can especially be a problem if the shingles are applied in cooler months or in areas on the roof that do not receive direct sunlight. These conditions may impede the sealing of the adhesive strips on the shingles. The inability to seal down may be compounded by prolonged cold weather conditions and/or blowing dust. In these situations, hand sealing of the shingles is required. To insure quicker sealing, apply 4 quarter-sized dabs of TAM-PRO® SBS Flashing Cement, TAMKO or TAM-PRO® Plastic Roof Cement, or TAMKO Tam-Seal Adhesive, meeting ASTM D 4586, Type 1, on the back of the shingle 1 in. (25mm) and 13 in. (330mm) in from each side and 1 in. (25mm) up from the bottom of the shingle. Press shingle firmly into the adhesive. For maximum wind resistance along rakes, install any TAMKO starter shingle including sealant or cement shingles to the underlayment and each other in a 4 in. (102mm) width of TAM-PRO® SBS Flashing Cement, TAMKO or TAM-PRO® Plastic Roof Cement, or TAMKO Tam-Seal Adhesive. Caution: Apply ONLY a thin uniform layer of adhesive less than 1/8 in. (3mm) thick. Excessive amounts can cause blistering of the shingles and may soften the asphalt in certain underlayments resulting in the asphalt flowing, dripping and staining. Shingles must also be fastened according to the fastening instructions described below.

Correct placement of the fasteners is critical to the performance of the shingle. If the fasteners are not placed as shown in the diagram and described below, this will result in the termination of TAMKO's liabilities under the Limited Warranty. TAMKO will not be responsible for damage to shingles caused by winds in excess of the applicable mph as stated in the Limited Warranty. See Limited Warranty on the wrapper or tamko.com for details.

FASTENING PATTERNS: Fasteners must be placed 5-1/2 in. from the bottom edge of the shingle, penetrating through the common bond, and located horizontally as follows:

1) Standard Fastening Pattern. (For use on decks with slopes 2 in. per foot to 21 in. per foot.) One fastener 1 in. from each end and one 12 in. from each end of the shingle for a total of 4 fasteners. (See Standard Fastening Pattern illustrated below).



(Continued)

Visit Our Web Site at
tamko.com

Central District	220 West 4th St., Joplin, MO 64801	800-641-4691
Northeast District	4500 Tamko Dr., Frederick, MD 21701	800-368-2055
Southeast District	2300 35th St., Tuscaloosa, AL 35401	800-228-2656
Southwest District	7910 S. Central Exp., Dallas, TX 75216	800-443-1834
Western District	5300 East 43rd Ave., Denver, CO 80216	800-530-8868

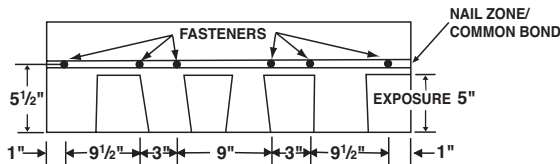
09/14

**HERITAGE® PREMIUM
LAMINATED ASPHALT SHINGLES**

Frederick, MD

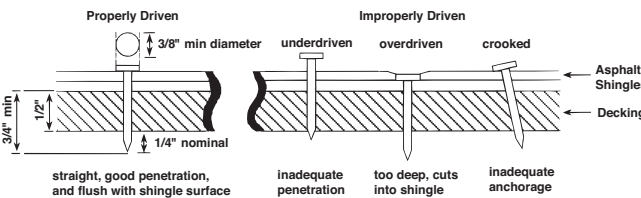
2) Mansard Fastening Pattern. (For use on decks with slopes greater than 21 in. per foot.) One fastener 1 in. from each end and one fastener 10-1/2 in. from each end and one fastener 13-1/2 in. from each end for a total of 6 fasteners per shingle. (See Mansard and High Wind Fastening Pattern illustrated below.)

MANSARD AND HIGH WIND WARRANTY FASTENING PATTERN



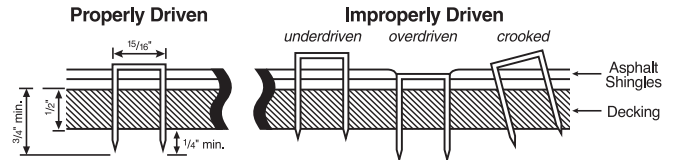
3) High Wind Warranty Fastening Pattern. (For High Wind Warranty Application requirements) One fastener 1 in. from each end. One fastener 10-1/2 in. from each end and one fastener 13-1/2 in. from each end for a total of six (6) fasteners per shingle. In addition to this shingle fastening pattern requirement for High Wind Application, TAMKO also requires the use of TAMKO starter shingles including sealant strip at eaves and rakes. Alternatively, along rakes, cement shingles to the underlayment and each other in a 4 in. (102 mm) width of TAM-PRO® SBS Flashing Cement, TAMKO or TAM-PRO® Plastic Roof Cement, or TAMKO Tam-Seal Adhesive. Caution: Apply ONLY a thin uniform layer of adhesive less than 1/8 in. (3mm) thick. Excessive amounts can cause blistering of the shingles and may soften the asphalt in certain underlayments resulting in the asphalt flowing, dripping and staining. High Wind Application is offered on new construction or complete tear-off applications only. It is not offered for recover applications. If High Wind Application requirements are not followed, the High Wind Application Warranty MPH, as stated on Table 1 in the Limited Warranty, reverts to the Standard Application Wind Warranty MPH limit. (See Mansard and High Wind Fastening Pattern illustrated above.)

NAILS: TAMKO recommends the use of nails as the preferred method of application. Standard type roofing nails should be used. Nail shanks should be made of minimum 12 gauge wire, and a minimum head diameter of 3/8 in. Nails should be long enough to penetrate 3/4 in. into the roof deck. Where the deck is less than 3/4 in. thick, the nails should be long enough to penetrate completely through plywood decking and extend at least 1/8 in. through the roof deck. Drive nail head flush with the shingle surface.



STAPLES: If staples are used in the attaching process, follow the above instructions for placement. All staples must be driven with pneumatic staplers. The staple must meet the following minimum dimensional requirements. Staples must be made from a minimum 16 gauge galvanized wire. Crown width must be at least 15/16 in. (staple crown width is measured outside the legs). Leg length should be a minimum of 1-1/4 in. for new construction and 1-1/2 in. for reroofing thus allowing a minimum deck penetration of 3/4 in. The crown of the staple must be parallel to the length of the shingle. The staple crown should be driven flush with the shingle surface. Staples that are crooked, underdriven or overdriven are considered improperly applied.

CAUTION: ALL FASTENERS MUST BE DRIVEN INTO THE NAIL ZONE/Common Bond AS SHOWN IN THE FASTENING PATTERN DIAGRAMS.



4. UNDERLAYMENT

UNDERLAYMENT: An underlayment must be applied over the entire deck before the installation of TAMKO shingles. Failure to add underlayment can cause premature failure of the shingles which is not covered by TAMKO's Limited Warranty.

Products which are acceptable for use as underlayment are:

Asphalt Saturated Felt Underlayments:

- SuperX 30™ Underlayment
- TAMKO No. 15 Asphalt Saturated Organic Felt
- Any TAMKO non-perforated asphalt saturated organic felt
- A non-perforated asphalt saturated organic felt which meets ASTM: D226, Type I or II or ASTM D4869

Specialty Underlayments:

- Tam-Shield® Synthetic Underlayment or Synthetic Shield Underlayment
- TAMKO TW Metal and Tile Underlayment, TW Underlayment and Moisture Guard Plus® (additional ventilation may be required. Contact TAMKO's Technical Services Department for more information.)
- A self-adhesive underlayment designed for use with asphalt shingles which meets ASTM D1970.

For Asphalt Saturated Felt Underlayments:

Apply the felt when the deck is dry. On roof decks with slopes 4 in. per foot and greater apply the felt parallel to the eaves lapping each course of the felt over the lower course at least 2 in. Where ends join, lap the felt 4 in. If left exposed, the felt may be adversely affected by moisture and weathering. Laying of the felt and the shingle application must be done together.

For All Other Specialty Underlayments:

On roof decks with slopes 4 in. per foot and greater apply the underlayment parallel to the eaves in accordance with underlayment written application instructions. The underlayment should not be left exposed for a longer period of time than is specified in the underlayments written application instructions. The final roof covering must be installed before the structure is exposed to adverse weather conditions, such as wind driven rain, high wind, hail, ice storms, etc.

In areas where ice builds up along the eaves or a back-up of water from frozen or clogged gutters is a potential problem, TAMKO's Moisture Guard Plus®, TW Metal and Tile Underlayment or TW Underlayment (or any specialty eaves flashing product) may be applied to eaves, rakes, ridges, valleys, around chimneys, skylights or dormers to help prevent water damage. Contact TAMKO's Technical Services Department for more information.

Substitute products as shingle underlayment should not be used.

(Continued)

Visit Our Web Site at
tamko.com

Central District 220 West 4th St., Joplin, MO 64801
 Northeast District 4500 Tamko Dr., Frederick, MD 21701
 Southeast District 2300 35th St., Tuscaloosa, AL 35401
 Southwest District 7910 S. Central Exp., Dallas, TX 75216
 Western District 5300 East 43rd Ave., Denver, CO 80216

800-641-4691
 800-368-2055
 800-228-2656
 800-443-1834
 800-530-8868

09/14

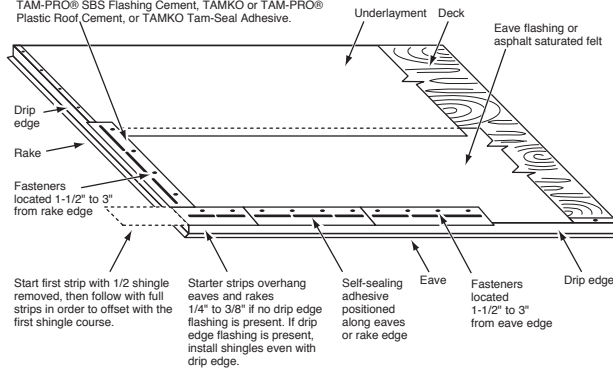
**HERITAGE® PREMIUM
LAMINATED ASPHALT SHINGLES**

Frederick, MD

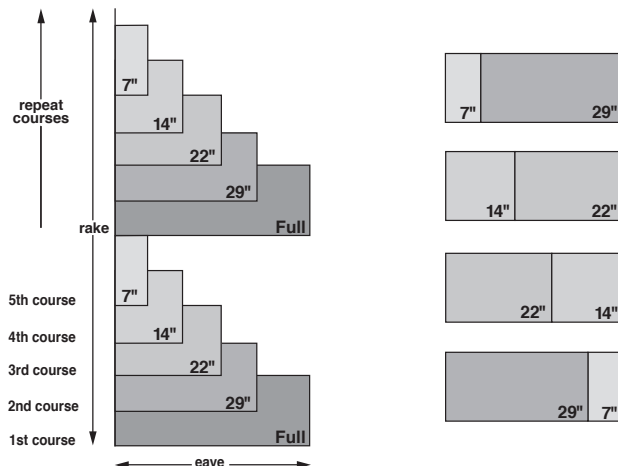
5. APPLICATION INSTRUCTIONS

STARTER COURSE: A starter course may consist of TAMKO Shingle Starter, TAMKO 10-inch Starter or self-sealing 3-tab shingles. If self-sealing 3-tab shingles are used, remove the exposed tab portion and install with the factory applied adhesive adjacent to the eaves. Attach the starter course with approved fasteners along a line parallel to and 1.5 in. to 3 in. above the eaves edge. The starter course should overhang both the eaves and rake edges 1/4 in. to 3/8 in. if drip edge flashing is not used along the eaves or rakes. If drip edge flashing is present, install shingles even with the drip edge.

For maximum wind resistance along rakes, install any TAMKO starter shingle including sealant or cement shingles to underlayment and each other in a 4" (102 mm) width of TAM-PRO® SBS Flashing Cement, TAMKO or TAM-PRO® Plastic Roof Cement, or TAMKO Tam-Seal Adhesive.



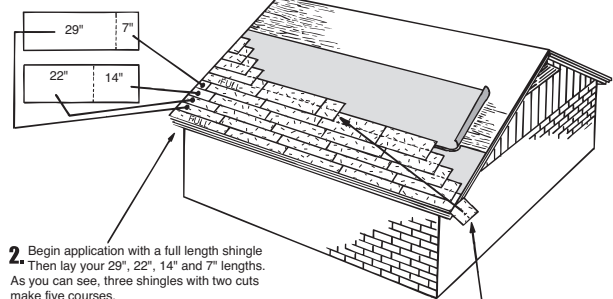
SHINGLE APPLICATION: Start the first course with a full size shingle and overhang the rake edge 1/4 in. if drip edge is not present. If drip edge is present, align shingle edge with drip edge flashing. Cut 7 in. from a full shingle to form a shingle 29 in. long. Use this to start the second course (see diagram below). Cut a 22 in. long shingle to start the third course. Use the remaining 14 in. piece of shingle to start the fourth course and use the remaining 7 in. piece to begin the fifth course. Continue up the rake in as many rows as necessary using the same formula as outlined above.



The butt of the shingle should be aligned with the top edge of the sawtooth of the underlying shingle for a 5 in. exposure (see shingle application drawing illustrated on this panel). When you make your final cut at the roof's edge, flip any pieces that are 8 in. or longer back onto the roof. These pieces can be worked in anywhere without creating zippers or color variations.

NOTE: Do not align joints of shingle courses when working in cut pieces. Joints should be no closer than 4 in. from one another.

1 Cut your first course shingle to make 29" and a 7" length. Cut a second shingle to make a 22" and a 14" length.



2 Begin application with a full length shingle. Then lay your 29", 22", 14" and 7" lengths. As you can see, three shingles with two cuts make five courses.

3 Continue working your way across the roof. When you make your final cut at the roof's edge, flip any pieces that are 8" or longer back onto the roof. These pieces can be worked in anywhere without creating zippers or color variations.
NOTE: Do not align joints of shingle courses when working in cut pieces. Joints should be no closer than 4" from one another.

6. LOW SLOPE APPLICATION

On pitches 2 in. per foot to 4 in. per foot cover the deck with two layers of underlayment. Begin by applying the underlayment in a 1/2-sheet width along the eaves and overhanging the drip edge by 1/4 to 3/4 in. Place a full-sheet width over the 1/2-sheet width starter piece, completely overlapping it. All succeeding courses will be positioned to overlap the preceding course by 1/2-sheet width. If winter temperatures average 25°F or less, thoroughly cement the laps of the entire underlayment to each other with TAM-PRO or TAMKO Plastic Roof Cement from eaves and rakes to a point of a least 24 in. inside the interior wall line of the building. As an alternative, TAMKO's Moisture Guard Plus®, TW Metal and Tile Underlayment, or TW Underlayment self-adhering underlayment may be used in lieu of the cemented felts.

7. MANSARD ROOF OR STEEP SLOPE ROOF

If the slope exceeds 21 in. per foot (60°), each shingle must be sealed with TAM-PRO® SBS Flashing Cement, TAMKO or TAM-PRO® Plastic Roof Cement, or TAMKO Tam-Seal Adhesive immediately upon installation. Quarter-sized dabs of cement or adhesive must be applied to shingles with a 5 in. exposure, use 6 fasteners per shingle. See Section 3 for the Mansard Fastening Pattern.

(Continued)

Visit Our Web Site at
tamko.com

Central District 220 West 4th St., Joplin, MO 64801
Northeast District 4500 Tamko Dr., Frederick, MD 21701
Southeast District 2300 35th St., Tuscaloosa, AL 35401
Southwest District 7910 S. Central Exp., Dallas, TX 75216
Western District 5300 East 43rd Ave., Denver, CO 80216

800-641-4691
800-368-2055
800-228-2656
800-443-1834
800-530-8868

09/14

HERITAGE® PREMIUM LAMINATED ASPHALT SHINGLES

Frederick, MD

8. RE-ROOFING

Before re-roofing, be certain to inspect the roof decks. All plywood shall meet the requirements listed in Section 1.

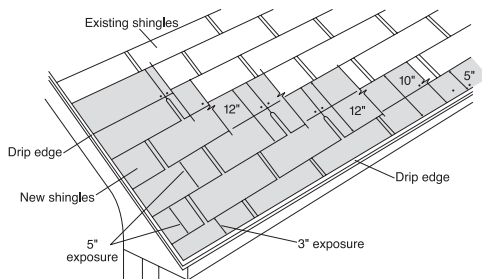
It is not recommended to install laminated asphalt shingles directly over existing laminated shingles due to the unevenness of the existing multi-layered shingles. The performance of the sealant feature may be compromised, preventing the shingles from sealing properly. It is acceptable to install laminated shingles over existing three-tab strip shingles which are flat and essentially intact. Nail down or remove curled or broken shingles from the existing roof. Replace all missing shingles with new ones to provide a smooth base. Shingles that are buckled usually indicate warped decking or protruding nails. Hammer down all protruding nails or remove them and refasten in a new location. Remove all drip edge metal and replace with new.

If re-roofing over an existing roof where new flashing is required to protect against ice dams (freeze/thaw cycle of water and/or the backup of water in frozen or clogged gutters), remove the old roofing to a point at least 24 in. beyond the interior wall line and apply TAMKO's Moisture Guard Plus®, TW Metal and Tile Underlayment, or TW Underlayment. Contact TAMKO's Technical Services Department for more information.

The nesting procedure described below is the preferred method for re-roofing over square tab strip shingles with a 5 in. exposure.

Starter Course: Begin by cutting shingles into 5 x 36 inch strips. This is done by removing the 5 in. tabs from the bottom and approximately 2 in. from the top of the shingles so that the remaining portion is the same width as the exposure of the old shingles. Apply the starter piece so that the self-sealing adhesive lies along the eaves and is even with the existing roof. The starter strip should be wide enough to overhang the eaves and carry water into the gutter. Remove 3 in. from the length of the first starter shingle to ensure that the joints from the old roof do not align with the new.

First Course: Remove an amount from the butt edge of a full-size shingle so that the remaining portion of the shingle fits between the butts of the existing third course. This course must also be applied evenly along the eaves edge of the new starter strip.



Second and Succeeding Courses: Remove 7 in. from the rake end of the first shingle in the second course, and continue with full width shingles for the remainder of the course, placing the top edge of each new shingle against the butt edge of the old shingle in the course above. This method should create an exposure of 5 in. after the first course. When beginning the succeeding courses continue to follow the Heritage Woodgate application instructions. (See section 5).

9. VALLEY APPLICATION

Over the shingle underlayment, center a minimum 36 in. wide sheet of Moisture Guard Plus®, TW Metal & Tile Underlayment, or a minimum 50 lb. roll roofing in the valley. Nail the underlayment only where necessary to hold it in place and then only nail the outside edges.

IMPORTANT: PRIOR TO INSTALLATION WARM SHINGLES TO PREVENT DAMAGE WHICH CAN OCCUR WHILE BENDING SHINGLES TO FORM VALLEY.

After valley flashing is in place:

- Apply the first course of shingles along the eaves of one of the intersecting roof planes and across the valley.

Note: For proper flow of water over the trimmed shingle, always start applying the shingles on the roof plane that has the lower slope or less height.

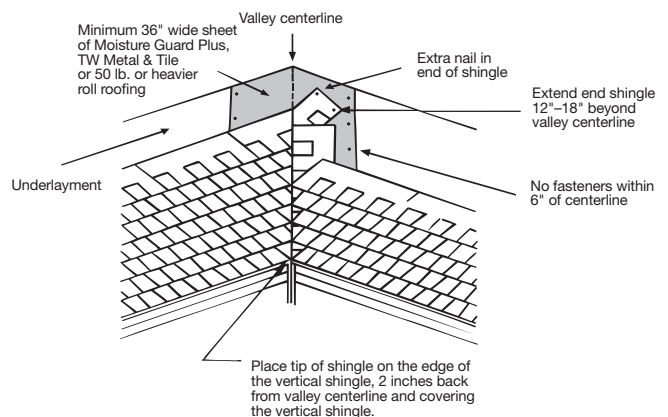
- Extend the end shingle at least 12 in. onto the adjoining roof. Apply succeeding courses in the same manner, extending them across the valley and onto the adjoining roof.
- Press the shingles tightly into the valley.
- Use normal shingle fastening methods.

Note: No fastener should be within 6 in. of the valley centerline, and two fasteners should be placed at the end of each shingle crossing the valley.

- To the adjoining roof plane, apply one row of shingles vertically facing the valley and 2 in. back from the valley centerline.

Note: For a neater installation, snap a chalkline over the shingles for guidance.

- To complete the valley, apply shingles on the adjoining roof plane by positioning the tip of the first shingle of each row at the 2 in. point from the centerline where the edge of the vertical shingle has been applied, covering the vertical shingle.



FOR ALTERNATE VALLEY APPLICATION METHODS, PLEASE CONTACT TAMKO'S TECHNICAL SERVICES DEPARTMENT AT 800-641-4691.

(Continued)

Visit Our Web Site at
tamko.com

Central District	220 West 4th St., Joplin, MO 64801	800-641-4691
Northeast District	4500 Tamko Dr., Frederick, MD 21701	800-368-2055
Southeast District	2300 35th St., Tuscaloosa, AL 35401	800-228-2656
Southwest District	7910 S. Central Exp., Dallas, TX 75216	800-443-1834
Western District	5300 East 43rd Ave., Denver, CO 80216	800-530-8868

09/14

**HERITAGE® PREMIUM
LAMINATED ASPHALT SHINGLES**

Frederick, MD

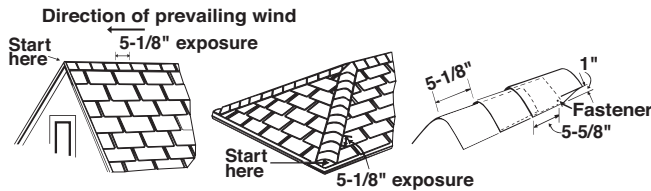
10. HIP AND RIDGE FASTENING DETAIL

Apply the shingles with a 5-1/8 in. exposure beginning at the bottom of the hip or from the end of the ridge opposite the direction of the prevailing winds. Secure each shingle with one fastener on each side, 5-5/8 in. back from the exposed end and 1 in. up from the edge.

TAMKO recommends the use of TAMKO Hip & Ridge shingle products. Where matching colors are available, it is acceptable to use TAMKO's Elite Glass-Seal shingles cut down to 12 in. pieces.

Fasteners should be 1/4 in. longer than the one used for shingles

IMPORTANT: PRIOR TO INSTALLATION, CARE NEEDS TO BE TAKEN TO PREVENT DAMAGE WHICH CAN OCCUR WHILE BENDING SHINGLE IN COLD WEATHER.



THESE ARE THE MANUFACTURER'S APPLICATION INSTRUCTIONS FOR THE ROOFING CONDITIONS DESCRIBED. TAMKO BUILDING PRODUCTS, INC. ASSUMES NO RESPONSIBILITY FOR LEAKS OR OTHER ROOFING DEFECTS RESULTING FROM FAILURE TO FOLLOW THE MANUFACTURER'S INSTRUCTIONS. FAILURE TO FOLLOW THESE INSTRUCTIONS WILL ADVERSELY AFFECT COVERAGE UNDER THE LIMITED WARRANTY. SEE THE LIMITED WARRANTY FOR DETAILS. IF YOU HAVE ANY QUESTIONS REGARDING THESE APPLICATION INSTRUCTIONS, PLEASE CONTACT TAMKO'S TECHNICAL SERVICES DEPARTMENT AT 800-641-4691.

Information included in these application instructions was current at time of printing. To obtain a copy of the most current version of these application instructions, visit us online at tamko.com or call us at 800-641-4691.

TAMKO®, Moisture Guard Plus®, Tam-Shield®, TAM-PRO® and Heritage® are registered trademarks and SuperX 30 is a trademark of TAMKO Building Products, Inc.

Visit Our Web Site at
tamko.com

Central District	220 West 4th St., Joplin, MO 64801	800-641-4691
Northeast District	4500 Tamko Dr., Frederick, MD 21701	800-368-2055
Southeast District	2300 35th St., Tuscaloosa, AL 35401	800-228-2656
Southwest District	7910 S. Central Exp., Dallas, TX 75216	800-443-1834
Western District	5300 East 43rd Ave., Denver, CO 80216	800-530-8868

800-641-4691
800-368-2055
800-228-2656
800-443-1834
800-530-8868

09/14