

GENERAL INSTALLATION PROCEDURE FOR SNOW GUARDS DURING APPLICATION OF METALWORKS STEEL SHINGLES

ASTONWOOD, STONECREST SLATE & STONECREST TILE



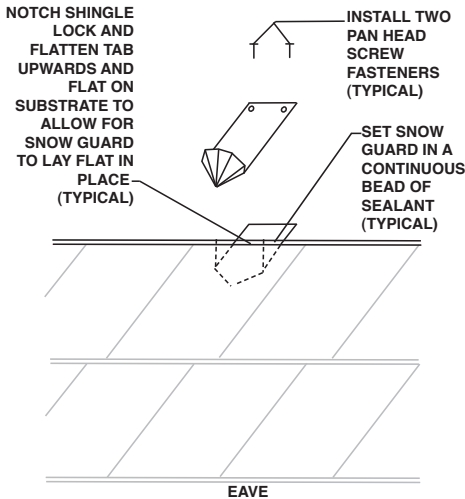
APPROPRIATE FALL PROTECTION METHODS SHOULD BE USED WHENEVER WORKING ON ROOFS.

Sno-Gem will provide a custom snow guard pattern that must be followed for proper application. The Architect/Roofing Contractor/Engineer needs to contact Sno-Gem at 888-766-4367 for the custom snow guard pattern. Provide roof slope, eave to peak (ridge) measurement and location (city/state).

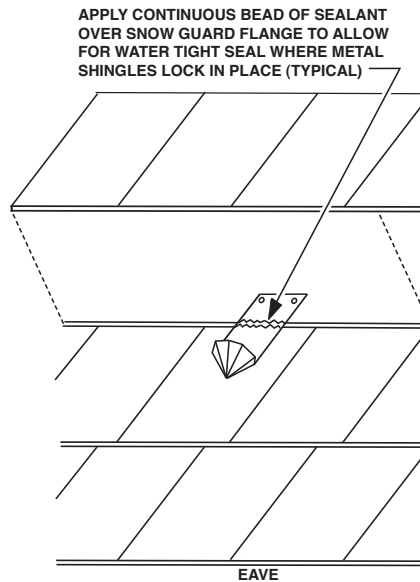
TOOLS & MATERIAL REQUIRED FOR INSTALLATION:

- SAFETY GLASSES
- HEARING PROTECTION
- TAPE MEASURE
- MITER SAW OR HACK SAW
- DRILL
- #2 SQUARE DRIVE SET
- LEVEL
- SB-190 TUBE ADHESIVE/SEALANT

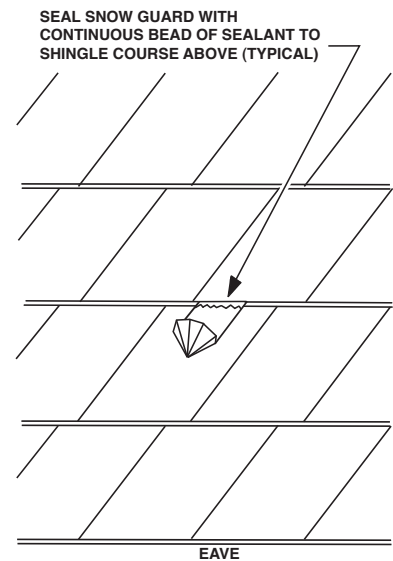
DETAIL ①



DETAIL ②



DETAIL ③



TERMS AND CONDITIONS

THE PERFORMANCE OF THIS PRODUCT DEPENDS ON THE OWNER/PURCHASER'S ADHERENCE TO SNO-GEM'S AND METALWORKS' REQUIRED SNOW GUARD PATTERN FOR ANY PARTICULAR PROJECT AND AN INSTALLATION IN CONFORMANCE WITH SNO-GEM'S AND METALWORKS' INSTALLATION INSTRUCTIONS. EXCEPT FOR THE SNOWGUARD LIMITED WARRANTY, SNO-GEM AND METALWORKS DO NOT PROVIDE ANY WARRANTY ON THE INSTALLATION OF THE PRODUCTS. SNO-GEM AND METALWORKS HAVE NOT PERFORMED AN INDEPENDENT SITE INSPECTION. ALL RECOMMENDATIONS ARE BASED SOLELY ON THE INFORMATION PROVIDED IN PART BY THE ARCHITECT/ROOFING CONTRACTOR/ENGINEER/HOMEOWNER AS SET FORTH ABOVE. THESE CALCULATIONS ARE SUBJECT TO VERIFICATION BY THE PROJECT'S ARCHITECT/ROOFING CONTRACTOR/ENGINEER TO ENSURE THAT THEY MEET THE OVERALL PROJECT DESIGN, INCLUDING BUT NOT LIMITED TO, VERIFICATION OF THE CAPACITY OF THE BUILDING STRUCTURE TO WITHSTAND THE WEIGHT OF THESE SNOW LOADS. SNO-GEM AND METALWORKS ARE NOT RESPONSIBLE FOR PRODUCT BREAKAGE DUE TO MISAPPLICATION OF THE PRODUCT, INCORRECT MATERIALS, DEFECTS THAT WERE OBVIOUS AT THE TIME OF INSTALLATION, BUILDING DEFICIENCIES, PRODUCT ABUSE, EXTREME WEATHER CONDITIONS, ACT OF GOD AND/OR ANY OTHER FACTORS THAT ARE OUTSIDE THE CONTROL OF SNO-GEM AND METALWORKS. IN NO EVENT SHALL SNO-GEM'S AND METALWORKS' LIABILITY EXCEED THE COST IF REPAIR OR REPLACEMENT OF ITS MATERIAL ONLY AND IN NO EVENT WILL SNO GEM OR METALWORKS BE LIABLE FOR SCHEDULE DELAYS, LABOR AND/OR ANY OTHER DIRECT, INDIRECT, CONSEQUENTIAL, INCIDENTAL OR SPECIAL DAMAGES, WHETHER IN CONTRACT OR TORT AND EXPRESSLY DISCLAIMS LIABILITY FOR ANY OTHER DAMAGES OR CLAIMS OF ANY KIND ARISING UNDER ANY THEORY OF LAW WHATSOEVER INCLUDING, BUT NOT LIMITED TO, LOSS OR DAMAGE TO THE EXTERIOR, ADJACENT COMPONENTS OR STRUCTURES, AND INTERIOR OR CONTENTS OF ANY STRUCTURE UNDER ANY CIRCUMSTANCES. SNO-GEM AND METALWORKS MAKES NO WARRANTY OF ANY KIND, EXPRESS OR IMPLIED, INCLUDING BUT NOT LIMITED TO, ANY WARRANTY OR MERCHANTABILITY OR WARRANTY OF FITNESS FOR A PARTICULAR PURPOSE.



Visit our Web Site at tamko.com or metalworksroof.com
 TAMKO BUILDING PRODUCTS
 PO BOX 1404
 JOPLIN, MO 64802



Phone 888.766.4367
 Fax. 815.455.4387
 WEBSITE: www.SNOGEM.com
 EMAIL: INFO@SNOWGEM.COM

GENERAL INSTALLATION PROCEDURE FOR RETROFIT SNOW GUARDS ON EXISTING METALWORKS STEEL SHINGLES

ASTONWOOD, STONECREST SLATE & STONECREST TILE



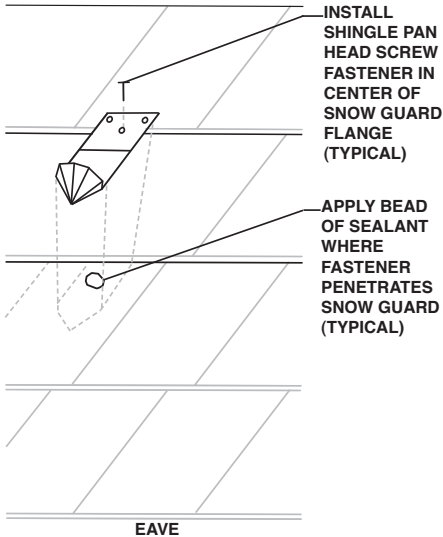
APPROPRIATE FALL PROTECTION METHODS SHOULD BE USED WHENEVER WORKING ON ROOFS.

Sno-Gem will provide a custom snow guard pattern that must be followed for proper application. The Architect/Roofing Contractor/Engineer needs to contact Sno-Gem at 888-766-4367 for the custom snow guard pattern. Provide roof slope, eave to peak (ridge) measurement and location (city/state).

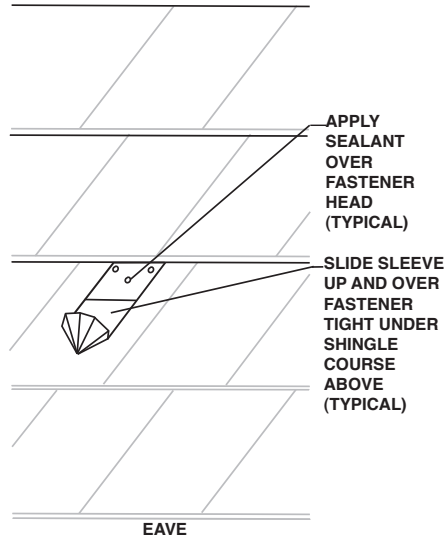
TOOLS & MATERIAL REQUIRED FOR INSTALLATION:

- SAFETY GLASSES
- HEARING PROTECTION
- TAPE MEASURE
- MITER SAW OR HACK SAW
- DRILL
- #2 SQUARE DRIVE SET
- LEVEL
- SB-190 TUBE ADHESIVE/SEALANT

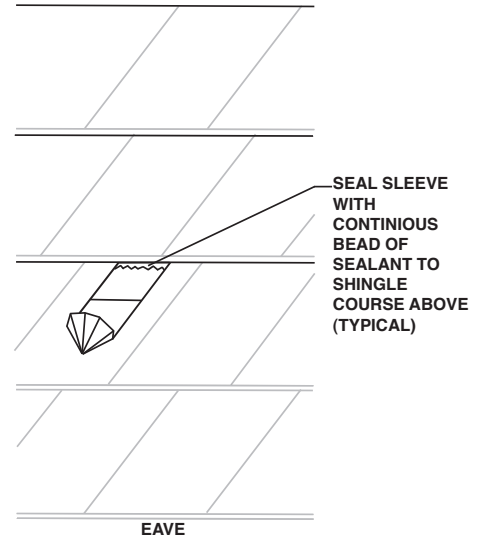
DETAIL ①



DETAIL ②



DETAIL ③



TERMS AND CONDITIONS

THE PERFORMANCE OF THIS PRODUCT DEPENDS ON THE OWNER/PURCHASER'S ADHERENCE TO SNO-GEM'S AND METALWORKS' REQUIRED SNOW GUARD PATTERN FOR ANY PARTICULAR PROJECT AND AN INSTALLATION IN CONFORMANCE WITH SNO-GEM'S AND METALWORKS' INSTALLATION INSTRUCTIONS. EXCEPT FOR THE SNOWGUARD LIMITED WARRANTY, SNO-GEM AND METALWORKS DO NOT PROVIDE ANY WARRANTY ON THE INSTALLATION OF THE PRODUCTS. SNO-GEM AND METALWORKS HAVE NOT PERFORMED AN INDEPENDENT SITE INSPECTION. ALL RECOMMENDATIONS ARE BASED SOLELY ON THE INFORMATION PROVIDED IN PART BY THE ARCHITECT/ROOFING CONTRACTOR/ENGINEER/HOMEOWNER AS SET FORTH ABOVE. THESE CALCULATIONS ARE SUBJECT TO VERIFICATION BY THE PROJECT'S ARCHITECT/ROOFING CONTRACTOR/ENGINEER TO ENSURE THAT THEY MEET THE OVERALL PROJECT DESIGN, INCLUDING BUT NOT LIMITED TO, VERIFICATION OF THE CAPACITY OF THE BUILDING STRUCTURE TO WITHSTAND THE WEIGHT OF THESE SNOW LOADS. SNO-GEM AND METALWORKS ARE NOT RESPONSIBLE FOR PRODUCT BREAKAGE DUE TO MISAPPLICATION OF THE PRODUCT, INCORRECT MATERIALS, DEFECTS THAT WERE OBVIOUS AT THE TIME OF INSTALLATION, BUILDING DEFICIENCIES, PRODUCT ABUSE, EXTREME WEATHER CONDITIONS, ACT OF GOD AND/OR ANY OTHER FACTORS THAT ARE OUTSIDE THE CONTROL OF SNO-GEM AND METALWORKS. IN NO EVENT SHALL SNO-GEM'S AND METALWORKS' LIABILITY EXCEED THE COST IF REPAIR OR REPLACEMENT OF ITS MATERIAL ONLY AND IN NO EVENT WILL SNO GEM OR METALWORKS BE LIABLE FOR SCHEDULE DELAYS, LABOR AND/OR ANY OTHER DIRECT, INDIRECT, CONSEQUENTIAL, INCIDENTAL OR SPECIAL DAMAGES, WHETHER IN CONTRACT OR TORT AND EXPRESSLY DISCLAIMS LIABILITY FOR ANY OTHER DAMAGES OR CLAIMS OF ANY KIND ARISING UNDER ANY THEORY OF LAW WHATSOEVER INCLUDING, BUT NOT LIMITED TO, LOSS OR DAMAGE TO THE EXTERIOR, ADJACENT COMPONENTS OR STRUCTURES, AND INTERIOR OR CONTENTS OF ANY STRUCTURE UNDER ANY CIRCUMSTANCES. SNO-GEM AND METALWORKS MAKES NO WARRANTY OF ANY KIND, EXPRESS OR IMPLIED, INCLUDING BUT NOT LIMITED TO, ANY WARRANTY OR MERCHANTABILITY OR WARRANTY OF FITNESS FOR A PARTICULAR PURPOSE.



Visit our Web Site at tamko.com or metalworksroof.com
 TAMKO BUILDING PRODUCTS
 PO BOX 1404
 JOPLIN, MO 64802



Phone 888.766.4367
 Fax. 815.455.4387
 WEBSITE: www.SNOGEM.com
 EMAIL: INFO@SNOWGEM.COM