

TAMKO® 12¼"×12" HIP AND RIDGE 12¼"×12" HERITAGE® HIP AND RIDGE IR ROOFING ACCESSORY

JOPLIN, MO



SHINGLES BEGIN TO AGE AS SOON AS THEY ARE EXPOSED TO NATURE. BUILDINGS EXPERIENCE AGING FACTORS DIFFERENTLY, SO IT IS DIFFICULT TO PREDICT HOW LONG SHINGLES WILL LAST. TAMKO PROVIDES A LIMITED WARRANTY FOR MANY PRODUCTS, THAT INCLUDES A BINDING ARBITRATION CLAUSE AND OTHER TERMS AND CONDITIONS WHICH ARE INCORPORATED HEREIN BY REFERENCE. THIS PRODUCT IS COVERED BY THE TAMKO LIMITED WARRANTY FOR THE TAMKO SHINGLES COVERING THE FIELD OF THE ROOF. YOU MAY OBTAIN A COPY OF THE LIMITED WARRANTY FOR TAMKO SHINGLES COVERING THE FIELD OF THE ROOF AT TAMKO.COM OR BY CALLING 1-800-641-4691.

WARNING: Use of this product in an assembly that includes polyurethane foam insulation (including without limitation an application directly to the underside of a roof deck or within a wall assembly) may cause premature degradation or failure of this product. We continue to evaluate compatibility of polyurethane foams with our asphalt building products. Chemical incompatibility, off-gassing after application and excess heat during and after application of polyurethane foams may affect the performance of asphalt and modified asphalt building products and metal fasteners used with those products.



IMPORTANT SAFETY INFORMATION: Do not install until all appropriate safety precautions have been read and understood. The TAMKO Safety Data Sheet (SDS) is available at tamko.com/sds. Always use appropriate fall protection equipment and wear appropriate personal protective equipment (PPE) when working with this product. Moisture, frost, debris or other material will decrease the traction and can cause slippery conditions when walking on the product. **Applicator safety is of utmost importance.**

THESE ARE THE MANUFACTURER'S APPLICATION INSTRUCTIONS FOR ROOFING CONDITIONS DESCRIBED. TAMKO BUILDING PRODUCTS LLC ASSUMES NO RESPONSIBILITY FOR LEAKS OR OTHER DEFECTS RESULTING FROM FAILURE TO FOLLOW THE MANUFACTURER'S INSTRUCTIONS. FAILURE TO FOLLOW THESE INSTRUCTIONS WILL ADVERSELY AFFECT COVERAGE UNDER THE LIMITED WARRANTY AND ARBITRATION AGREEMENT. SEE THE LIMITED WARRANTY FOR DETAILS.

CHECK LOCAL BUILDING CODES TO DETERMINE SUITABILITY OF THIS PRODUCT FOR YOUR INTENDED USE.

INFORMATION INCLUDED IN THESE APPLICATION INSTRUCTIONS WAS CURRENT AT THE TIME OF PRINTING. TO OBTAIN A COPY OF THE MOST CURRENT VERSION OF THESE APPLICATION INSTRUCTIONS, VISIT US ONLINE AT WWW.TAMKO.COM OR CALL US AT 1-800-641-4691.

THIS TAMKO® PRODUCT IS COVERED BY A LIMITED WARRANTY AND ARBITRATION AGREEMENT. YOU MAY OBTAIN A COPY OF THE LIMITED WARRANTY FOR TAMKO SHINGLES COVERING THE FIELD OF THE ROOF AT TAMKO.COM OR BY CALLING 1-800-641-4691.

IMPORTANT: SOME JURISDICTIONS OR INSURANCE COMPANIES MAY REQUIRE TEAR-OFF OF EXISTING SHINGLES AND USE OF UL 2218 CLASS 4 COMPLIANT HIP AND RIDGE SHINGLES. CHECK LOCAL BUILDING CODES AND YOUR INSURANCE COMPANY FOR REQUIREMENTS.

IN COLD WEATHER (BELOW 40°F), CARE MUST BE TAKEN TO AVOID DAMAGE TO THE EDGES AND CORNERS OF THE SHINGLES.

IT IS NOT NECESSARY TO REMOVE THE PLASTIC STRIP FROM THE SHINGLES.

TAMKO® 12¼"×12" HIP AND RIDGE 12¼"×12" HERITAGE® HIP AND RIDGE IR ROOFING ACCESSORY



JOPLIN, MO

HIP AND RIDGE FASTENING DETAIL

Some jurisdictions or insurance companies may require tear-off of existing shingles and use of UL 2218 Class 4 compliant hip and ridge shingles. Check local building codes and your insurance company for requirements.

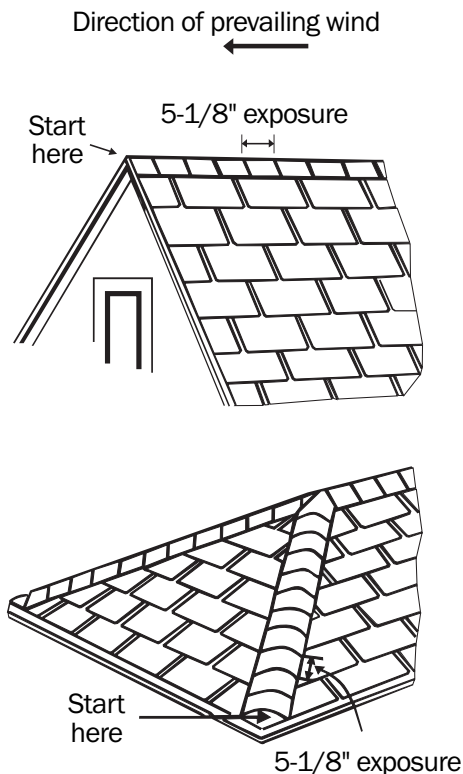
TAMKO recommends the use of 12-1/4" × 12" hip and ridge shingle products. Where matching colors are available, it is acceptable to use TAMKO® Elite Glass-Seal® shingles cut down to 12" pieces.

Apply shingles up to a hip or ridge from both sides of the roof before finishing the intersection. To facilitate finishing, adjust the last few courses so that the ridge capping will adequately cover the top courses of shingles equally on both sides of the ridge.

To apply the capping, bend each shingle along the centerline so that it will extend an equal distance on each side of the hip or ridge. Chalk lines may assist in proper alignment. In cold weather, warm the shingle until it is pliable before bending.

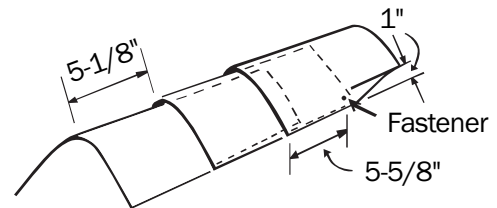
Apply the shingles with a 5-1/8" exposure, beginning at the bottom of the hip or from the end of the ridge opposite the direction of the prevailing winds. See Figure 1.

Figure 1



Secure each shingle as illustrated in Figure 2 with one fastener on each side, 5-5/8" back from the exposed end and 1" up from the edge. DO NOT NAIL BELOW THIS LINE 1" UP FROM THE EDGE. The length of the fastener should be long enough to penetrate through the roofing material and 3/4" into the wood decking or completely through the decking.

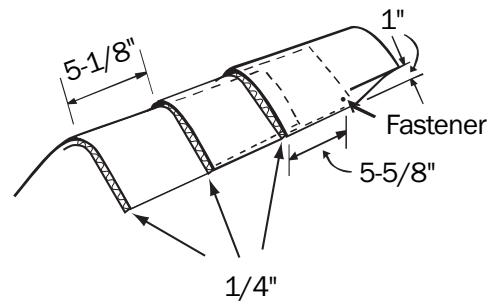
Figure 2



In high wind areas, it may be advisable, at the discretion of the roofing contractor, to use a spot of sealant to minimize blow off problems.

Alternatively, a 2-layer application of 12-1/4" × 12" hip and ridge shingles may be applied to all Heritage® roofs to enhance the overall appearance. When the second layer is applied, offset this layer by 1/4" to create a "shadow" effect. See Figure 3.

Figure 3



For a high profile appearance, TAMKO recommends Heritage® Designer Ridge. This ridge cap is constructed with SBS modified bitumen technology. Up to 1/2" thicker than 12-1/4" × 12" hip and ridge.

The application instructions are available at tamko.com or by calling TAMKO's Technical Services Department at 800-641-4691.