



# TAMKO® PERFORATED STARTER

## Starter Course Shingles Application Instructions

**NOTICE: THIS PRODUCT IS SOLD "AS IS" AND WITHOUT WARRANTY OF ANY KIND. ALL WARRANTIES, INCLUDING BUT NOT LIMITED TO THE IMPLIED WARRANTIES OF MERCHANTABILITY AND FITNESS FOR A PARTICULAR PURPOSE, ARE EXCLUDED.**

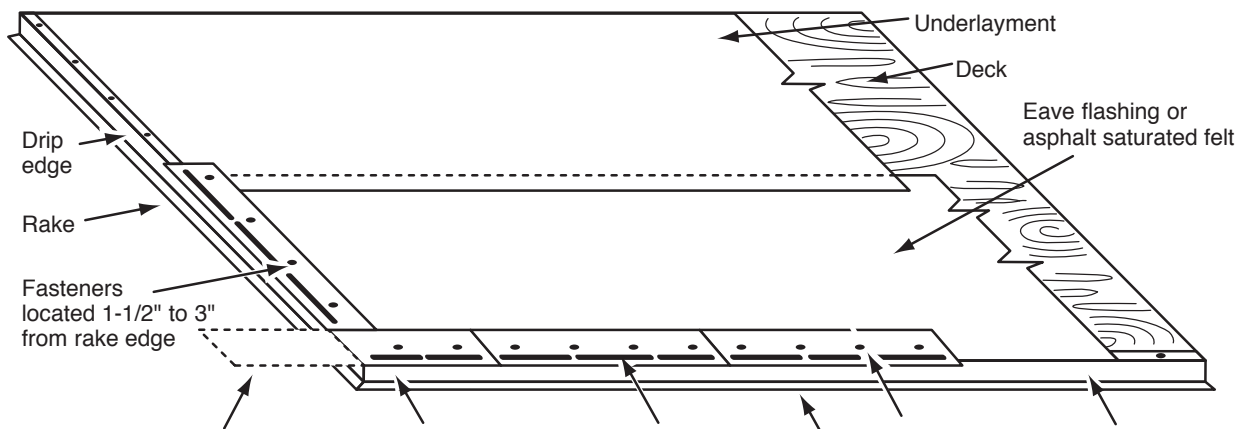
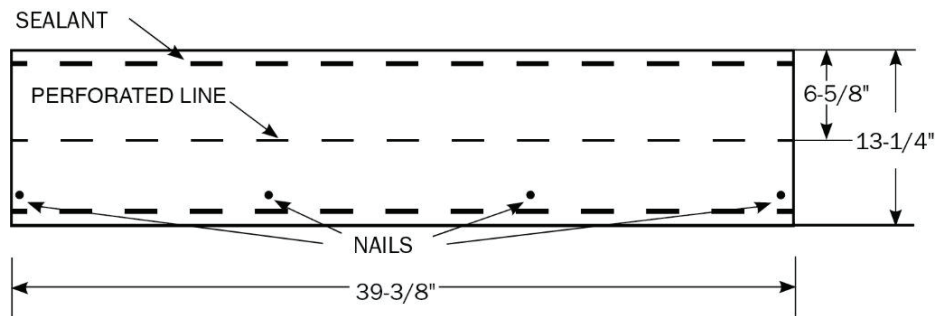
**WARNING: Use of polyurethane foam insulation applied directly to the underside of a roof deck may cause premature degradation or failure of this asphalt roofing product.** We are investigating compatibility of polyurethane foams with our asphalt building products. Chemical incompatibility, off-gassing after application and excess heat during and after application of polyurethane foams may affect the performance of asphalt and modified asphalt building products and metal fasteners used with those products.



**IMPORTANT SAFETY INFORMATION:** Do not install until all appropriate safety precautions have been read and understood. The TAMKO Safety Data Sheet (SDS) is available at [tamko.com/sds](http://tamko.com/sds). Always use appropriate fall protection equipment and wear appropriate personal protective equipment (PPE) when working with this product. Moisture, frost, debris or other material will decrease the traction and can cause slippery conditions when walking on the product. **Applicator safety is of utmost importance.**

**IMPORTANT: TAMKO® PERFORATED STARTER CAN NOT BE USED AS THE STARTER COURSE WITH TAMKO® ELITE GLASS-SEAL® SHINGLES OR ANY 36" LENGTH SHINGLES AS IT CAUSES IMPROPER JOINT ALIGNMENT FOR THE FIRST COURSE OF SHINGLES.**

- Bundle contains 16 perforated shingles to be separated into 32 starter shingles.
- Factory sealant strip
- Covers 105 linear feet per bundle when installed according to TAMKO's Installation Instructions



Start first starter shingle with 1/2 shingle removed, then follow with full starter shingle in order to offset with the first shingle course

Starter shingles overhang eaves and rakes 1/4" to 3/4" if no drip edge flashing is present. If drip edge flashing is present, install shingles even with the drip edge or overhang the drip edge up to 3/4"

Self-sealing adhesive positioned along eaves or rake edge

Fasteners located 1-1/2" to 3" from eave edge

- Proper installation of the first course of shingles is critical to ensure proper alignment of the courses.
- TAMKO® Perforated Starter is packaged as a shingle with sealant applied parallel to each edge along the length of the shingle and perforated down the center.
- Separate each individual shingle along the perforation to create 2 individual starter shingles.
- TAMKO® Perforated Starter must be installed so that the sealant edge is nearest to the rake or eave edge of the roof. Follow the instructions in the drawing for proper application and fastening pattern.



To obtain a copy of the most current version of these application instructions, visit us online at [tamko.com](http://tamko.com) or call us at 800-641-4691.

©2018 TAMKO Building Products, Inc. TAMKO® Logo, TAMKO® and Elite Glass-Seal® are registered trademarks of TAMKO Building Products, Inc.

P.O. Box 1404 • Joplin, MO 64802-1404 • 1-800-641-4691 • [tamko.com](http://tamko.com)

JP75343 05/31/18