



DEPARTMENT OF REGULATORY AND ECONOMIC RESOURCES (RER)
BOARD AND CODE ADMINISTRATION DIVISION

MIAMI-DADE COUNTY
PRODUCT CONTROL SECTION
11805 SW 26 Street, Room 208
Miami, Florida 33175-2474
T (786) 315-2590 F (786) 315-2599
www.miamidade.gov/economy

NOTICE OF ACCEPTANCE (NOA)

Tamko Building Products, Inc.
220 W. Fourth Street
Joplin, MO 64801

SCOPE:

This NOA is being issued under the applicable rules and regulations governing the use of construction materials. The documentation submitted has been reviewed and accepted by Miami-Dade County RER - Product Control Section to be used in Miami-Dade County and other areas where allowed by the Authority Having Jurisdiction (AHJ).

This NOA shall not be valid after the expiration date stated below. The Miami-Dade County Product Control Section (in Miami-Dade County) and/or the AHJ (in areas other than Miami-Dade County) reserve the right to have this product or material tested for quality assurance purposes. If this product or material fails to perform in the accepted manner, the manufacturer will incur the expense of such testing and the AHJ may immediately revoke, modify, or suspend the use of such product or material within their jurisdiction. RER reserves the right to revoke this acceptance, if it is determined by Miami-Dade County Product Control Section that this product or material fails to meet the requirements of the applicable building code.

This product is approved as described herein, and has been designed to comply with the Florida Building Code including the High Velocity Hurricane Zone of the Florida Building Code.

DESCRIPTION: TAMKO Hip & Ridge Shingles

LABELING: Each unit shall bear a permanent label with the manufacturer's name or logo, city, state and following statement: "Miami-Dade County Product Control Approved", unless otherwise noted herein.


RENEWAL of this NOA shall be considered after a renewal application has been filed and there has been no change in the applicable building code negatively affecting the performance of this product.

TERMINATION of this NOA will occur after the expiration date or if there has been a revision or change in the materials, use, and/or manufacture of the product or process. Misuse of this NOA as an endorsement of any product, for sales, advertising or any other purposes shall automatically terminate this NOA. Failure to comply with any section of this NOA shall be cause for termination and removal of NOA.

ADVERTISEMENT: The NOA number preceded by the words Miami-Dade County, Florida, and followed by the expiration date may be displayed in advertising literature. If any portion of the NOA is displayed, then it shall be done in its entirety.

INSPECTION: A copy of this entire NOA shall be provided to the user by the manufacturer or its distributors and shall be available for inspection at the job site at the request of the Building Official.

This NOA revises NOA #14-1001.08 and consists of pages 1 through 5.

The submitted documentation was reviewed by *Freddy Semino* 



NOA No.: 18-0228.03
Expiration Date: 01/08/19
Approval Date: 05/31/18
Page 1 of 5

ROOFING COMPONENT APPROVAL

Category: Roofing
Sub-Category: Asphalt Shingles
Materials: Laminate
Deck Type: Wood

SCOPE:

This approves **TAMKO Hip & Ridge** Asphalt Shingles, manufactured by **TAMKO Building Products, Inc.** as described in this Notice of Acceptance.

PRODUCT DESCRIPTION

<u>Product</u>	<u>Dimensions</u>	<u>Test Specifications</u>	<u>Product Description</u>
Elite Glass-Seal as Hip & Ridge Shingles <i>Manufacturing Location # 1, 2, 3</i>	12-1/4" x 36"	TAS 110	A heavy weight, 3-Tab asphalt 12-1/4" x 36" shingle that is cut to create three 12-1/4" x 12" sections to be used as a hip & ridge shingle.
12 x 12 Hip & Ridge Shingles <i>Manufacturing Locations #2, 3</i>	12" x 12"	TAS 110	A heavy weight, asphalt 12" x 36" shingle with perforations to create three 12" x 12" sections to be used as a hip & ridge shingle.
12-1/4 x 12 Hip & Ridge Shingles <i>Manufacturing Location #1, 3</i>	12-1/4" x 12"	TAS 110	A heavy weight, asphalt 12-1/4" x 36" shingle with perforations to create three 12-1/4" x 12" sections to be used as a hip & ridge shingle.
Heritage Vintage 12 x 12 Hip & Ridge Shingles <i>Manufacturing Locations #4</i>	12" x 12"	TAS 110	A heavy weight, asphalt 12" x 36" shingle with perforations to create three 12" x 12" sections to be used as a hip & ridge shingle.

MANUFACTURING LOCATION

1. Frederick, MD
2. Tuscaloosa, AL
3. Joplin, MO
4. Phillipsburg, KS



NOA No.: 18-0228.03
Expiration Date: 01/08/19
Approval Date: 05/31/18
Page 2 of 5

EVIDENCE SUBMITTED

<u>Test Agency</u>	<u>Test Identifier</u>	<u>Test Name/Report</u>	<u>Date</u>
PRI Construction Materials Technologies	TAS-100(A)	TAP-231-02-01	10/12/09
	TAS-100(A)	TAP-230-02-01	10/12/09
	TAS-100(A)	TAP-314-02-01	06/08/15
	TAS 100	TAP-043-02-01	01/16/11
	TAS 100	TAP-071-02-01	04/21/03
	TAS-100(A)	TAP-385-02-01	08/02/17
	TAS-100(A)	TAP-386-02-01	08/02/17
Underwriters Laboratories, Inc.	ASTM D3462	09NK07896	12/16/09
	TAS 107	02NK9507	03/06/02
	ASTM D3462	R2919	02/25/02
	ASTM D3462	10CA64882	01/28/11
	ASTM D3161	R2919	9/17/14
	ASTM D3462	R2919	07/23/12
	ASTM D3462	R2919	03/08/17
	ASTM D3462	R2919	01/26/18

LIMITATIONS

1. Fire classification is not part of this acceptance; refer to a current Approved Roofing Materials Directory for fire ratings of this product.
2. Shall not be installed on roof mean heights in excess of 33 ft.
3. All products listed herein shall have a quality assurance audit in accordance with the Florida Building Code and Rule 61G20-3 of the Florida Administrative Code.

INSTALLATION

1. Shingles shall be installed in accordance with Roofing Application Standard RAS 115.
2. The manufacturer shall provide clearly written application instructions.
3. Exposure and course layout shall be in compliance with Detail A & B, attached.
4. Nailing shall be in compliance with Detail A & B, attached.

LABELING

Shingles shall be labeled with the Miami-Dade Approved Seal as seen below, or the wording “Miami-Dade County-Product Control Approved”.



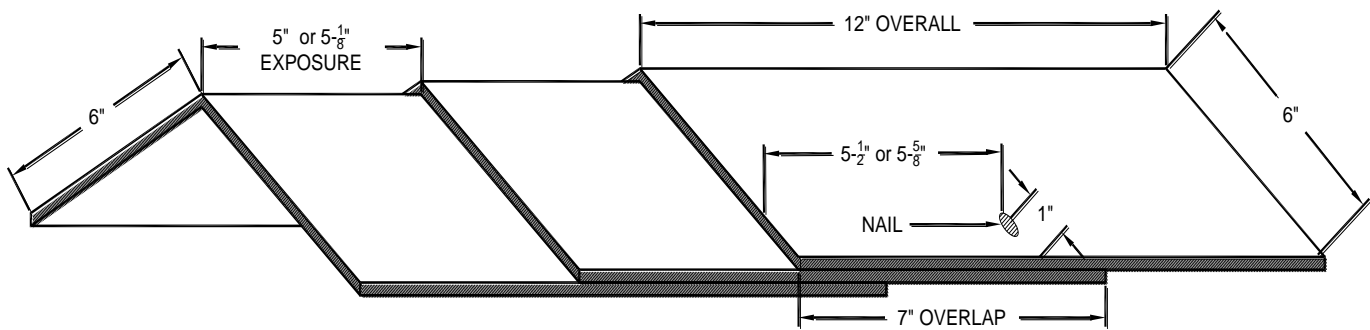
NOA No.: 18-0228.03
 Expiration Date: 01/08/19
 Approval Date: 05/31/18
 Page 3 of 5

BUILDING PERMIT REQUIREMENTS

As required by the Building Official or the applicable Building Code in order to properly evaluate the installation of this system. This Notice of Acceptance on its own cannot be used to obtain a building permit.

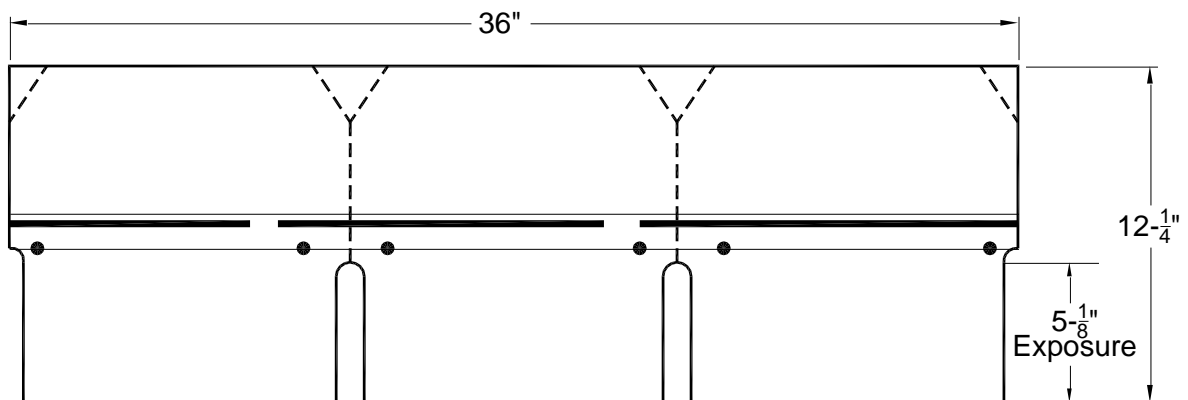
DETAIL A

TAMKO HIP & RIDGE



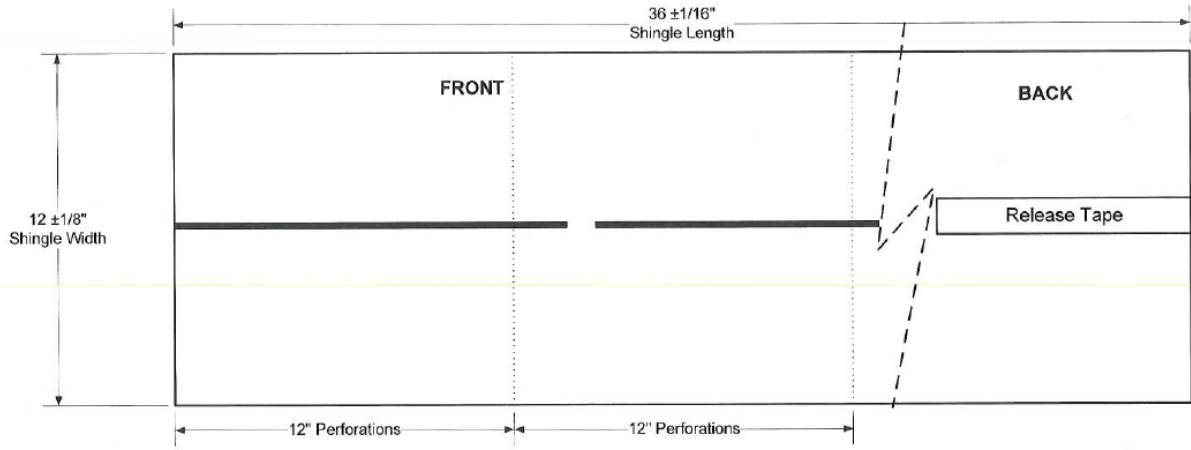
DETAIL B

ELITE GLASS-SEAL HIP AND RIDGE SHINGLE

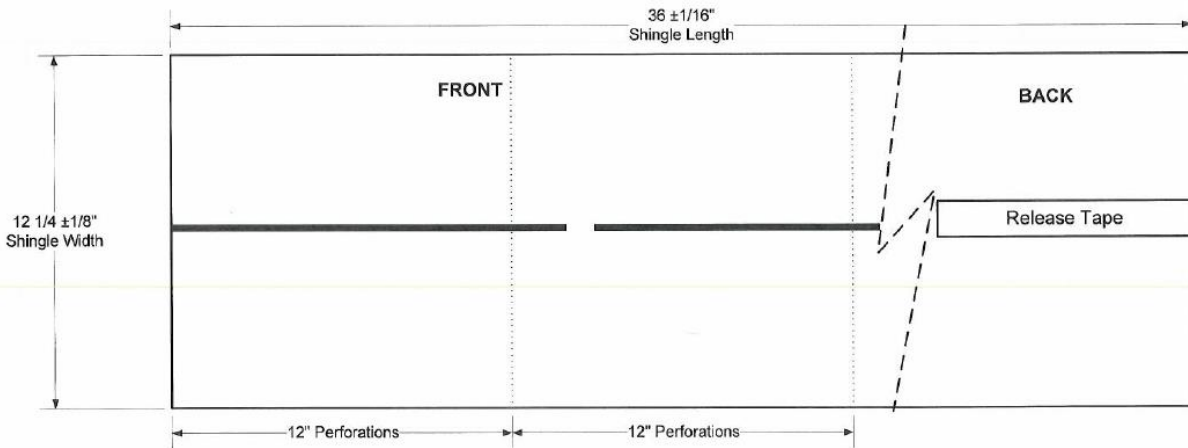


NOA No.: 18-0228.03
Expiration Date: 01/08/19
Approval Date: 05/31/18
Page 4 of 5

12 x 12 HIP AND RIDGE SHINGLE



12-1/4 x 12 HIP AND RIDGE SHINGLE



END OF THIS ACCEPTANCE



NOA No.: 18-0228.03
Expiration Date: 01/08/19
Approval Date: 05/31/18
Page 5 of 5