



Evaluation Report CCMC 13011-R MetalWorks® StoneCrest® and MetalWorks® AstonWood® Steel Shingles

MASTERFORMAT:	07 41 13
Evaluation issued:	2001-03-06
Re-evaluated:	2016-03-17
Revised:	2018-07-12

1. Opinion

It is the opinion of the Canadian Construction Materials Centre (CCMC) that “MetalWorks® StoneCrest® and MetalWorks® AstonWood® Steel Shingles”, when used as metal roofing systems in accordance with the conditions and limitations stated in Section 3 of this Report, complies with the National Building Code 2010:

- Clause 1.2.1.1.(1)(a), Division A, using the following acceptable solutions from Division B:
 - Subsection 9.26.2., Roofing Materials

This opinion is based on CCMC’s evaluation of the technical evidence in Section 4 provided by the Report Holder.

Ruling No. 08-05-190 (13011-R) authorizing the use of this product in Ontario, subject to the terms and conditions contained in the Ruling, was made by the Minister of Municipal Affairs and Housing on 2017-01-30 pursuant to s.29 of the Building Code Act, 1992 (see Ruling for terms and conditions). This Ruling is subject to periodic revisions and updates.

2. Description

The products are sheet-metal roofing systems consisting of a basic panel that is pressure-formed from 0.35-mm zinc alloy sheet steel that is finished with a fluoropolymer coating. The underside is finished with a corrosion-resistant coating.

The products have a nominal measurement of 1 010 mm × 320.5 mm. The panels are constructed with a four-way locking system and installed with a concealed nailing clip.

The longitudinal cross section of the “MetalWorks® AstonWood® Steel Shingle” consists of six modules, each with a wood-embossed profile.

The longitudinal cross section of the “MetalWorks® StoneCrest® Steel Shingle” consists of five modules, each with a stone-embossed profile.

Both systems include accessory strips for hip and ridge cap, valley pan, gable and flashing.

Typical installation details and nailing clip for the products are shown in Figures 1, 2, 3 and 4 respectively.

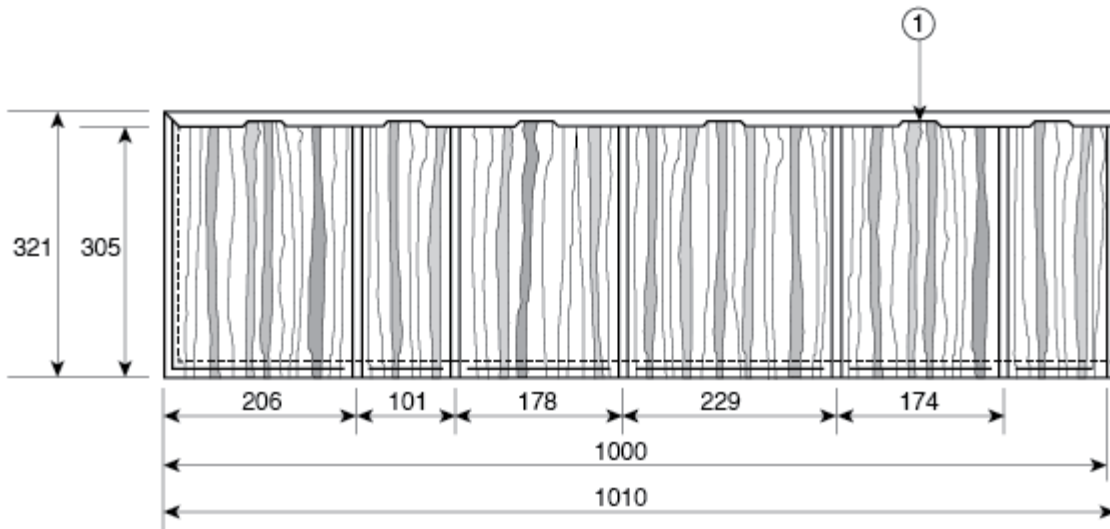


Figure 1. “MetalWorks® AstonWood® Steel Shingles”*

- 1. potential clip location
- * measurements in mm.

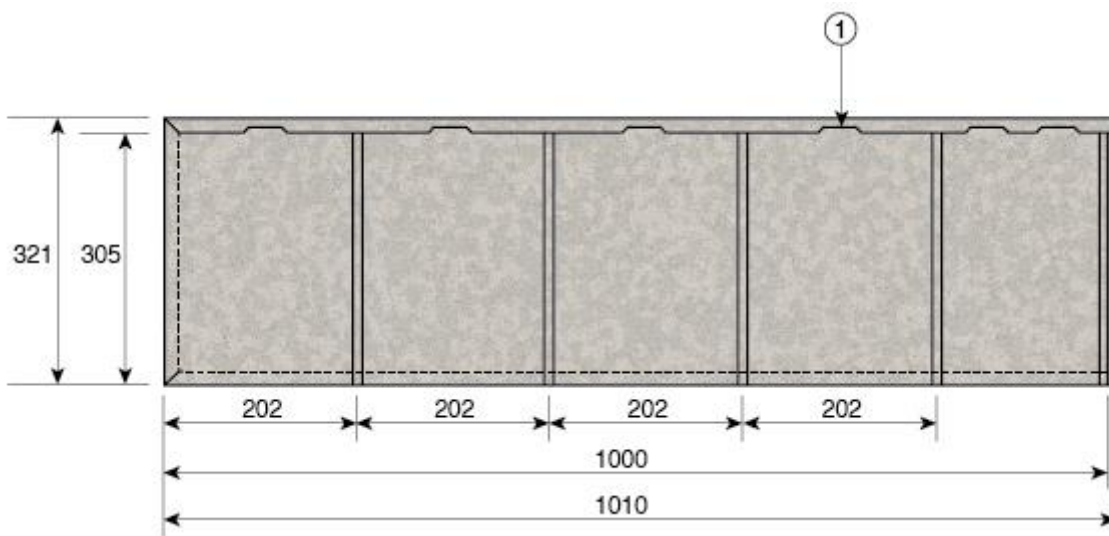


Figure 2. “MetalWorks® StoneCrest® Steel Shingles”*

- 1. potential clip location
- * measurements in mm.

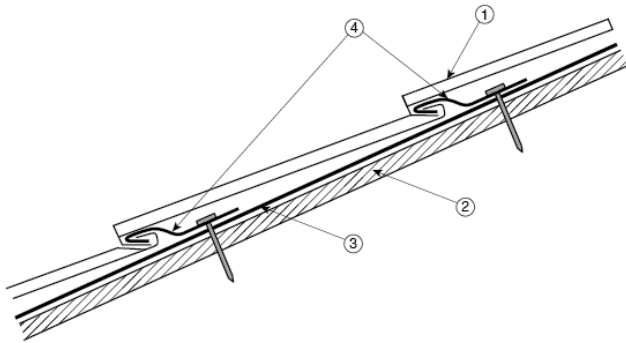


Figure 3. Installation detail for the products

1. “StoneCrest®” or “AstonWood®” shingle
2. roof sheathing
3. #30 felt or equivalent
4. nail clip

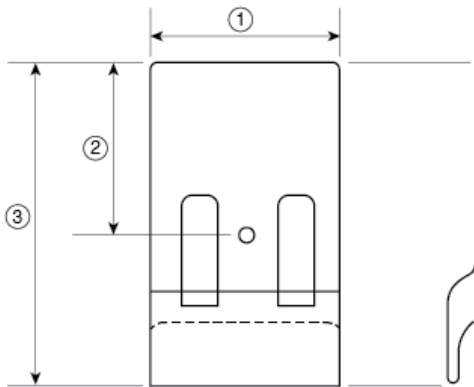


Figure 4. Fastening clip for the products

1. 32.7 mm
2. 28 mm
3. 54.4 mm

3. Conditions and Limitations

CCMC’s compliance opinion in Section 1 is bound by the “MetalWorks® StoneCrest® and MetalWorks® AstonWood® Steel Shingles” being used in accordance with the conditions and limitations set out below.

- The panels must be installed on roofs having a minimum slope of 1 in 4.
- The panels must be installed over solid sheathing complying with the requirements of Subsection 9.23.16, Roof Sheathing, of Division B of the NBC 2010.
- An underlay consisting of one layer of type 30 organic felt must be used in conjunction with the panels.
- The panels must be installed with eave protection as indicated in Subsection 9.26.5., Eave Protection for Shingles and Shakes, of Division B of the NBC 2010.
- Flashing must be installed in compliance with the requirements of Subsection 9.26.4., Flashing at Intersections, of Division B of the NBC 2010.
- Only fasteners and accessories supplied by the manufacturer must be used with the product. The fasteners and accessories must be compatible with the base metal of the panels.
- When access to the roof is needed, temporary walkways or roof boards are recommended to avoid any permanent damage to the panels.
- The roofing system must be installed in strict conformance to the manufacturer’s instructions.

This Evaluation Report is applicable only to products identified on the packaging with the phrase “CCMC 13011-R.”

4. Technical Evidence

The Report Holder has submitted technical documentation for CCMC's evaluation. Testing was conducted at laboratories recognized by CCMC. The corresponding technical evidence for this product is summarized below.

4.1 Material Requirements

Table 4.1.1 Material Properties of the Products

Property		Requirement	Result
Thickness (mm)		≥ 0.33	0.62
Thickness of zinc coating (g/m ²)		≥ 275	315
Coating quality		Smooth and uniform, free of pinholes, cracks, blisters and flaking	Pass
Flexibility		No flaking or microcracking	Pass
Humidity resistance		No formation of blisters	Pass
Durability		No sign of any change	Pass
Total dry film thickness (µm)	AstonWood®	≥ 25	25
	StoneCrest® Tile	≥ 25	27
	StoneCrest® Slate	≥ 25	28
Dry film hardness		No rupture	Pass
Adhesion	dry	No removal of film	Pass
	wet	No removal of film	Pass
Impact resistance		No removal of film	Pass
Abrasion resistance	AstonWood®	Coefficient value ≥ 40	44.4
	StoneCrest® Tile/Slate	Coefficient value ≥ 40	41.7
Acid resistance	10% sulphuric acid	No loss of integrity or appreciable change	Pass
	10% hydrochloric acid	No loss of integrity or appreciable change	Pass
	10% nitric acid	No loss of integrity or appreciable change	Pass
Salt spray resistance	AstonWood®	≥ 7 rating	7
	StoneCrest® Tile/Slate	≥ 7 rating	10

4.2 Performance Requirements

4.2.1 Traffic Load

Under an applied load of 900 N over five different impact locations, there were no signs of any plastic deformation or permanent openings at the lap that would adversely affect the function of the roofing system.

4.2.2 Wind Uplift

Table 4.2.2 Results of Testing of Wind Uplift for the Products

Pressure (kPa)	Time (s)	Requirement	Result ⁽¹⁾
0.5	10	No evidence of deformation, permanent damage or failure	Pass
1.0	10		Pass
1.4	10		Pass
1.9	10		Pass
2.9	10		Pass
3.8	10		Pass
4.3	10		Shingle unclipped
4.8	10		–

Note to Table 4.2.2:

- ⁽¹⁾ The panels were fastened onto a test frame measuring 1 220 mm × 2 440 mm using #10 – 25.4-mm galvanized steel zip screws. The test frame was constructed with 12.7-mm-thick plywood that was fastened to 50 mm × 100 mm SPF lumber spaced at 600 mm o.c. using 76-mm 10d common nails.

4.2.3 Dynamic Pressure Water Infiltration

Table 4.2.3 Results of Testing of Dynamic Pressure Water Infiltration for the Products

Wind Speed (km/h)	Simulated Rainfall (L/m ² ·min)	Time (s)	Requirement	Result ⁽¹⁾
34-59	3.4	5	No leakage or damage	Pass
84-96	3.4	5		Pass
104-117	3.4	5		Pass
117-144	3.4	5		Pass
154-170	3.4	5		Pass

Note to Table 4.2.3:

- ⁽¹⁾ The panels were fastened to a test frame with a 1 in 3 slope and a valley. The 11-mm-thick OSB sheathing was fastened onto 50 mm × 150 mm SPF lumber rafters spaced at 600 mm o.c using 50-mm 6d common nails. The entire roof was covered with one layer of Type 30 organic felt fastened with staples.

5.0 Other Technical Evidence

5.1 Additional Performance Data Requested by the Report Holder

5.1.1 Fire Protection

See UL Certificate TFXX R18590 for fire protection information

- The product is limited to installations where UL Class C fire resistance rating is required.

Report Holder

TAMKO Building Products, Inc.
P.O. Box 1404
220 West 4th Street
Joplin, MO 64802-1404
U.S.A.

Telephone: 417-624-6644
Fax: 417-624-8935

Plant(s)

Joplin, MO, U.S.A.

Disclaimer

This Report is issued by the Canadian Construction Materials Centre, a program of NRC Construction at the National Research Council of Canada. The Report must be read in the context of the entire CCMC Registry of Product Evaluations, including, without limitation, the introduction therein which sets out important information concerning the interpretation and use of CCMC Evaluation Reports.

Readers must confirm that the Report is current and has not been withdrawn or superseded by a later issue. Please refer to http://www.nrc-cnrc.gc.ca/eng/solutions/advisory/ccmc_index.html, or contact the Canadian Construction Materials Centre, NRC Construction, National Research Council of Canada, 1200 Montreal Road, Ottawa, Ontario, K1A 0R6. Telephone (613) 993-6189. Fax (613) 952-0268.

NRC has evaluated the material, product, system or service described herein only for those characteristics stated herein. The information and opinions in this Report are directed to those who have the appropriate degree of experience to use and apply its contents. This Report is provided without representation, warranty, or guarantee of any kind, expressed, or implied, and the National Research Council of Canada (NRC) provides no endorsement for any evaluated material, product, system or service described herein. NRC accepts no responsibility whatsoever arising in any way from any and all use and reliance on the information contained in this Report. NRC is not undertaking to render professional or other services on behalf of any person or entity nor to perform any duty owed by any person or entity to another person or entity.

Date modified:
2017-12-13