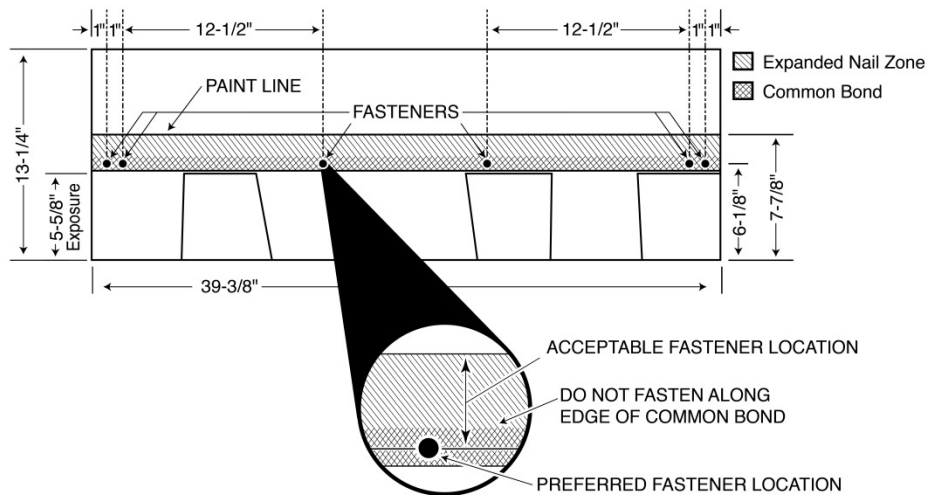


ALTERNATIVE STANDARD FASTENING PATTERN FOR HERITAGE® AND HERITAGE® PREMIUM LAMINATED ASPHALT SHINGLES MANUFACTURED AT TUSCALOOSA, AL ONLY*



The fastening pattern described and illustrated below is an acceptable alternative to the Standard Fastening Pattern included in both the *Application Instructions for Heritage Laminated Asphalt Shingles (Tuscaloosa, AL)* and the *Application Instructions for Heritage Premium Laminated Asphalt Shingles (Tuscaloosa, AL)* for installation of TAMKO Heritage and Heritage Premium Laminated Asphalt Shingles manufactured at TAMKO’s Tuscaloosa, Alabama factory only.

Acceptable Fastener Location: Fasteners must be placed in the 1-3/4 in. Expanded Nail Zone beginning at 6-1/8 in. from the bottom edge of the shingle and ending at the paint line located at 7-7/8 in. from the bottom of the shingle. Nails shall be located horizontally as shown in the diagram below.



This document is not intended nor should it be construed to modify or alter the terms of TAMKO’s Fiberglass Shingles Limited Warranty. **Use of this fastening pattern DOES NOT qualify for TAMKO’s High Wind Application Limited Warranty.** To qualify for the High Wind Application Limited Warranty, place fasteners in the common bond area and spaced as shown in the illustration above.

Additional information about TAMKO products is available at tamko.com.

* To obtain the current version of this Technical Notice, visit TAMKO’s website at tamko.com.