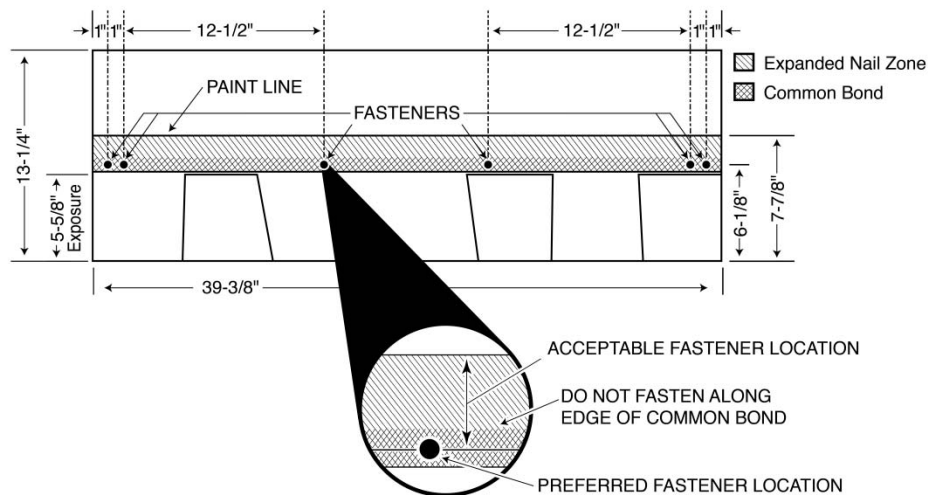


**ALTERNATIVE STANDARD FASTENING PATTERN FOR  
HERITAGE® LAMINATED FIBERGLASS/ASPHALT SHINGLES  
MANUFACTURED AT TUSCALOOSA, AL ONLY\***



The fastening pattern described and illustrated below is an acceptable alternative to the Standard Fastening Pattern included in the *Application Instructions for Heritage® Laminated Asphalt Shingles (Tuscaloosa, AL)* for installation of TAMKO Heritage Laminated Asphalt Shingles manufactured at TAMKO's Tuscaloosa, Alabama factory only.

**Acceptable Fastener Location:** Fasteners must be placed in the 1-3/4 in. Expanded Nail Zone beginning at 6-1/8 in. from the bottom edge of the shingle and ending at the paint line located at 7-7/8 in. from the bottom of the shingle. Nails shall be located horizontally as shown in the diagram below.



This document is not intended nor should it be construed to modify or alter the terms of the TAMKO *Fiberglass/Asphalt Shingle Limited Warranty and Arbitration Agreement*. **Use of this fastening pattern DOES NOT qualify for TAMKO's High Wind Application Limited Warranty.** To qualify for the High Wind Application Limited Warranty, place fasteners in the common bond area and spaced as shown in the illustration above.

Additional information about TAMKO products is available at [tamko.com](http://tamko.com).

\* To obtain the current version of this Technical Notice and the most recent limited warranty, visit TAMKO's website at [tamko.com](http://tamko.com). TAMKO reserves the right to update, remove, or otherwise modify any Technical Notice. If a previous Technical Notice currently is not listed at tamko.com then it is no longer valid and should not be referenced or relied upon for any reason.